

2016





Cable winches for everyone in the forestry industry.

Dear sales partner,

I am very pleased that you have now received our latest price list for cable winches. With the revised price list, we are again presenting new and more familiar machines *made in the Allgäu*.

With around 140 employees and trainees, we produce machines for forestry, environmental management and local authority applications. Our cable winches are now frequently found on building sites or at the scenes of accidents and emergencies. For more than 24 years we have taken the needs and requirements of our customers as our starting point. This approach will continue to guide us in the future.

Paul Pfanzelt,
Managing Director

1.0	General information	4
2.0	Company history and philosophy	5
3.0	Pfanzelt cable winches	8
3.1	Overview of 3-point linkage cable winch models	8
3.2	Technical details at a glance	12
4.0	logLINE 3-point linkage geared cable winches	14
4.1	Technical specifications	15
5.0	Profi 3-point linkage geared cable winches	36
5.1	Technical details	37
5.2	Technical specifications and dimensions	42
5.3	Profi 3-point linkage cable winch P172	24
5.4	Profi 3-point linkage cable winch P186	26
5.5	Profi 3-point linkage cable winch P1102	28
5.6	Profi 3-point linkage cable winch P272	30
5.7	Profi 3-point linkage cable winch P285	32
5.8	Profi 3-point linkage cable winch P170 SPECIAL OFFER PRICE GROUP 2	34
5.9	Profi 3-point linkage cable winch P185 SPECIAL OFFER PRICE GROUP 2	36
5.9	Profi 3-point linkage cable winch P260 SPECIAL OFFER PRICE GROUP 2	38
6.0	S-line 3-point linkage geared cable winch	40
6.1	Technical details	42
6.2	Technical specifications and dimensions	44
6.3	S-line cable winch S150 PRICE GROUP 2	46
6.4	S-line cable winch S160 PRICE GROUP 2	48
6.5	S-line cable winch S172 PRICE GROUP 2	50
7.0	Snap-on geared cable winches	52
7.1	Technical details	53
7.2	Quick-fit cable winch SW0258	54
7.3	Quick-fit cable winch SW0306	56
7.4	Quick-fit cable winch SW0308	58
8.0	Cable catalogue	60
9.0	Front salvage winch MySELF	62
10.0	Cable winch units	64
11.0	Logging grab	66
12.0	transportBOX	67



Contact person

Sales:

Peter Assemann

Czech Republic

Tel. +49 (0) 170 3 74 40 21

E-Mail peter.assemann@pfanzelt-maschinenbau.de

Dieter Salzmann

Pfanzelt factory representative, Switzerland, Italy, Slovenia, Romania

Tel. +49 (0) 174 2 43 39 70

Tel. +49 (0) 8860 92 17 - 29 29

E-Mail dieter.salzmann@pfanzelt-maschinenbau.de

Hans-Jörg Damm

France, Luxembourg, Netherlands, Belgium, Denmark

Tel. +49 (0) 172 8 48 70 83

E-Mail hans-joerg.damm@pfanzelt-maschinenbau.de

Wolfgang Kaltenberger

Pfanzelt factory representative for export

Tel. +43 (0) 676 3 74 40 42

E-Mail wolfgang.kaltenberger@pfanzelt-maschinenbau.de

Customer service and spare parts

Pfanzelt Service Hotline

Tel. +49 (0) 8860 92 17 - 29 14

E-Mail info@pfanzelt-maschinenbau.de



Before you start using the new Pfanzelt price and product list for cable winches in your sales work, we would like to say something about the layout of the price list so that you can easily find your way around when advising customers and for sales pitches.

The logLINE, Profi and S-line series are separately listed according to model and accessories. Please note the changed discount structure for products of the S-line series. This is indicated with the note "Product group 2".

In the presentations of individual products, each cable winch is shown on a double page spread with the respectively available accessories. To simplify your use of the price list, each cable winch is depicted with the essential accessories. If it is necessary due to special sales situations to discount individual items already included in the prices, the price reduction for the individual items is always stated in the accessories block on the double page.

If you have any questions on the products and price list, please contact the responsible factory representative.

Validity

The publication of this price list renders all existing price lists and price sheets invalid. The new price list is valid until 30 Sept. 2016.

Prices

The prices are net of VAT at the statutory rate.

Delivery conditions

Delivery is exclusively ex works. Orders of merchandise are governed by our General Terms & Conditions that you can download from our website www.pfanzelt-maschinenbau.de.

Warranty conditions

The warranty for Pfanzelt products is for 12 months or 1,000 operating hours. Wearing parts such as brakes or similar parts are exempted.

In relation to spare parts orders and warranty applications, it is essential that the forwarding trailer or crane type and serial number are stated, otherwise the orders and applications cannot be processed.

Form/brochure centre

You can download the forms for spare parts orders and warranty/goodwill applications from the Service section of our website www.pfanzelt-maschinenbau.de. There can you order all brochures and promotional material. These will usually be delivered within 2 working days.

Miscellaneous

Structural, price and technical changes reserved. Typographical and other errors reserved. All undertakings by sales staff in relation to modifications or special solutions shall only apply after written confirmation by the works.



The idea smithy from the Allgäu.

Pfanzelt Maschinenbau GmbH was founded in 1991 by Paul Pfanzelt, initially focusing on the production and installation of simple geared cable winches for 3-point, quick-fit and fixed attachment to agricultural tractors. With constantly increasing production volumes of cable winches, in 1996 another product was added to the range – the forwarding trailers. Over the years, the range has been further extended to become the widest of any European forestry machine manufacturer, and contains much more than add-on tools for agricultural tractors and conversions of these.

In 2001, Pfanzelt began to produce tractors of its own and now manufactures three different vehicle models for agriculture and forestry. In addition to the Felix specialised forestry tractor, since 2005 the range has also included the Pm Trac multipurpose tractor.

However also after 2005, Pfanzelt constantly presented new innovations and extended to product range. Thus the S-line series for geared cable winches and forwarding trailers was introduced in 2010 – a new series adapted to the requirements of semi-professionals and forest owners. In 2015, the product range was extended with top of the range forwarding trailers and cable winches of the logLINE series.

Now we have become a forge for new ideas and attach great importance to close contact with our customers. After all, many of our innovations are the direct result of requirements, suggestions and wishes from our customers that we are happy to address and turn into concrete products. With our machines we constantly pursue the goal of providing solutions that make everyday work as simple and cost effective as possible. The company is located in the thickly wooded foothills of the Alps, giving us a perfect proving ground for our products literally directly outside the front door. We only ship products that are tried and tested under real operating conditions.



HERGESTELLT IN
DEUTSCHLAND



Quality made in Germany.

With a highly qualified workforce and its trusted partner companies, Pfanzelt Maschinenbau manufactures its products in Germany. In contrast to today's standard production philosophy, based on the purchase of many bought-in parts, Pfanzelt prefers to maximise the percentage of parts manufactured in-house. Besides guaranteeing the reliability and quality of all components, this also ensures short delivery times. On the other, this also means that the production of machines often involves more time and effort than with some of our competitors. However, to avoid an excessively high purchase price for the products, we obviously take the going market rates as our starting point for our pricing. Accordingly, a part produced in-house does not necessarily cost more than a bought-in part. Besides in-house production, the extensive in-house know-how enables flexible reaction to changes and to product developments.

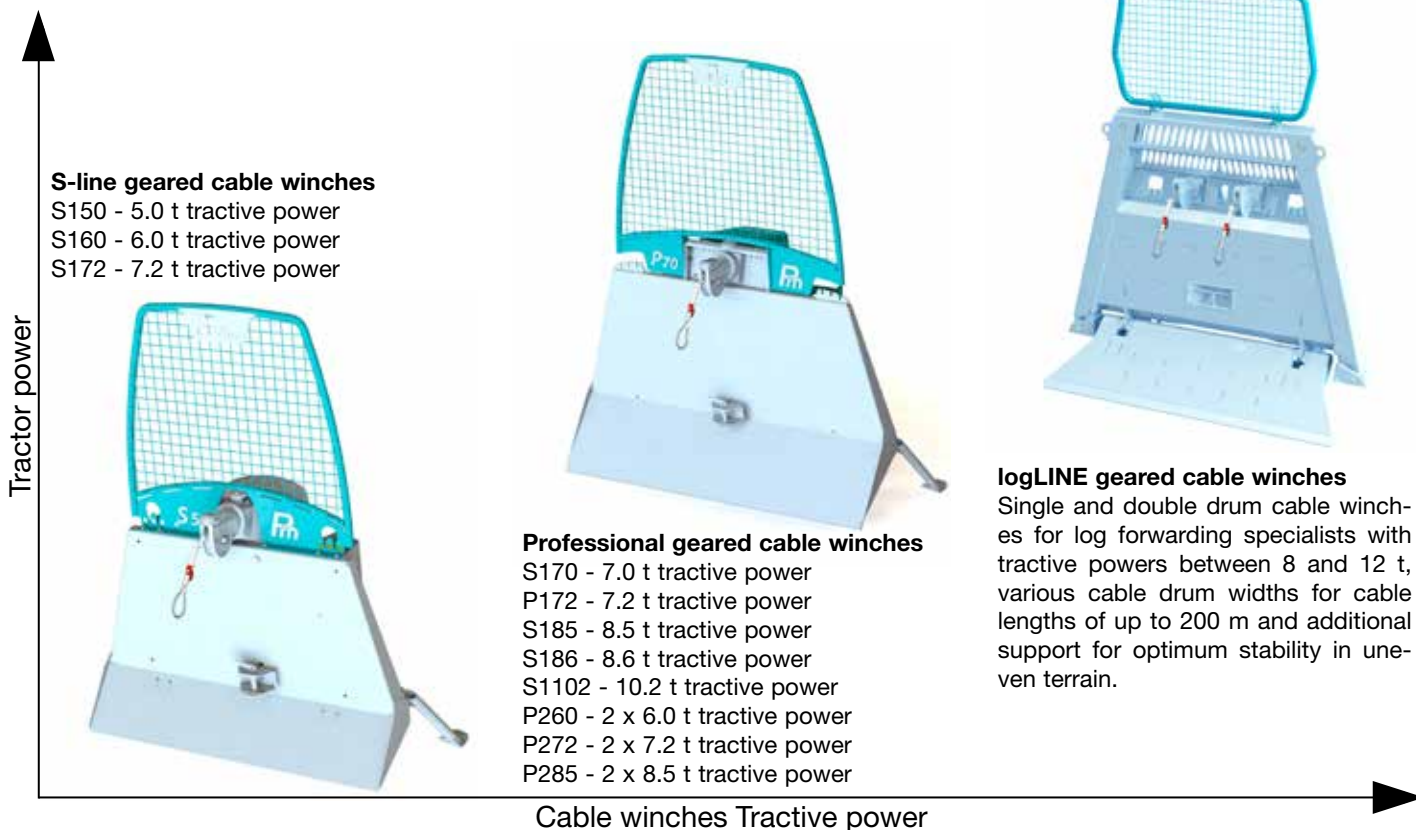


Top: In-house production of our own components means that they are optimally suited for the finished product.

Bottom: An ergonomically designed cab is essential for drivers when working.



3-point linkage cable winches from Pfanzelt are available in three series with different tractive forces depending on the desired application and available tractor system. The size of the cable winches differ according to the series (on the basis of its height, the S150 model is licensed for tractors up to 40 kW; for more powerful tractors a higher protective grille is required).



S-line geared cable winches



S150

The most affordable entry into geared cable winch with 5.0 t tractive power. With a 1,500 mm stacking shield and a low height, this 3-point linkage cable winch is ideal for the smaller tractor.



S160

For larger tractors and for users who require more tractive power, the S160 model offers a new, powerful mid-range model in the S-line cable winch range.



S172

The S172 geared cable winch is ideal for larger jobs in communal forests. The cable winch comes as standard with a 1,800 mm stacking shield.

Profi geared cable winch – single drum



P170 special offer model

The P170 is the entry level model for the Pfanzelt Profi geared cable winch series. The special offer model that is comprehensively equipped as standard is fitted out with cable distributor, cable infeed brake and cable payout. The cable capacity is increased by the wider cable drum.



P172

The robust and affordable entry level model into the professional league can be customized to individual needs thanks to the many optional extras. Thanks to its solid basic equipment, this is the lightest Pfanzelt Profi geared cable winch.



P185 special offer model

Based on the same principle as the special offer model P170 but with a greater tractive power, the P185 model has been created for everyone who needs comprehensive standard equipment and high tractive power.



P186

The P186 geared cable winch is characterised by a wide cable drum for a large cable capacity. The use of a cable drum with a large core diameter minimises the tractive power loss to only 28 percent.



P1102

With a maximum tractive power of 10 tonnes, the P1102 model is the most powerful geared cable winch in the Profi range. This model also comes with a wide cable drum with a large cable capacity.

Profi geared cable winches – double drum



P260 special offer model

The P260 special offer model is an affordable entry level model into the double drum cable winch series. The philosophy behind this model is: Professional technology with a limited range of accessories as complete package at an affordable entry level price



Illustration may vary from original.

P272

For more demanding applications on double drum geared cable winches, the P272 model has been included in the product range. Two wider cable drums and a tractive power of twice 7.2 tonnes enable you to comfortably cope with all situations.



Illustration may vary from original.

P285

The most powerful Pfanzelt geared cable winch also offers the largest cable capacity. Each of the two drums can accommodate a maximum of 130 m of 13 mm forestry cable.

Recovery winch



MySelf

A cable winch is often required in agriculture and forestry for recovering vehicles. The MYSELF front-mounted recovery winch has been especially designed for this application. The hydraulically controlled cable winch is mounted via the quick-coupling 3-point linkage.

Cable winch units




Logging grabs



Logging grabs

The hydraulic logging grab is supplied with attachment block for front loaders and 3-point hitch. The maximises flexibility when forwarding or loading logs. The curved tooth rail between the lower arms can securely raise and carry fixed lengths. The gripper is open/closed and the rotator turned by an electrical switch.


A photograph showing two green Pfanzelt tractors in a forest clearing. The tractor on the right is carrying a large log on its front-mounted winch. The ground is covered with snow and branches. The background consists of tall trees under a blue sky with light clouds.


Although the design of the stacking shield and drive components is almost identical with the Profi cable winch, by limiting the range of versions and by purchasing the same components as for the **S-line**, Pfanzelt can offer an attractive alternative to cable winches with chain drive. In the test version with cable infeed brake and cable distributor as well as wireless remote control by toggle switch, the 9155 S-line is priced at just under EUR 8,000 in the price list"


"profi" magazine 7/2010





 All Pfanzer winches are equipped as standard with a **forestry wireless control system**.


 The standard PPS controller (only S-line, Profi Eco) allows simple adjustment of crossovers.


 The hydraulic pressure can easily and rapidly be checked with the pressure gauge provided as standard.


 Controlled release of the brake is assured by the load lowering valve installed as standard (optionally also via wireless control).


 The wide cable drum creates place for large cable lengths and minimises the tractive force loss to a maximum of 21 percent.


 Two practical **holders for fuel canister and chainsaw** help keep the tractor neat and tidy.

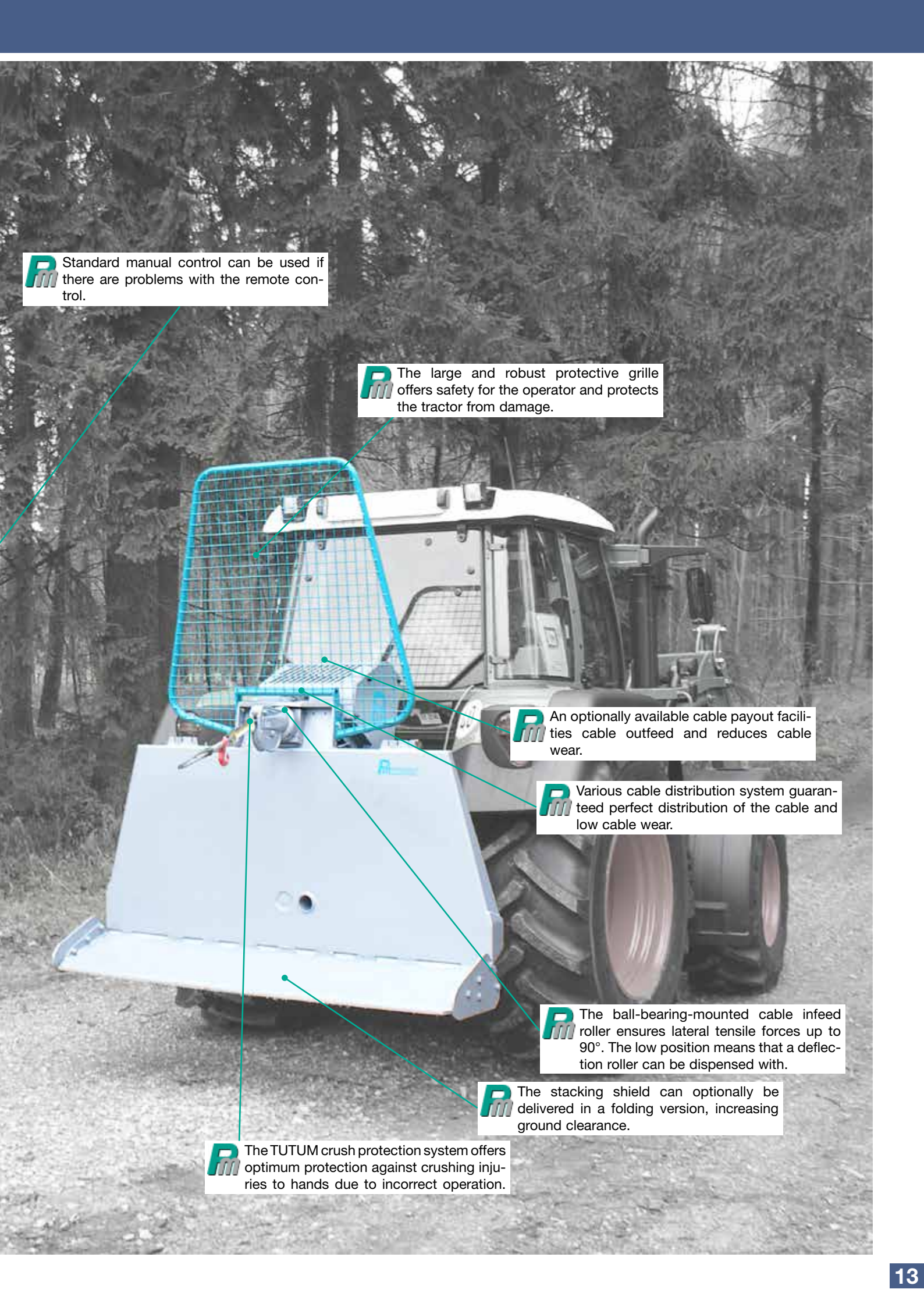
 The **robust stacking shield** made of fine grained steels is torsion-resistant and offers a secure hold when pulling from the side.

 Two **tool boxes** with lids mounted on the winch shield help keep everything orderly.

 A **centered bevel gear** is optionally available to relocate the PTO stub.

 Laterally actuated **parking supports** facilitate the mounting and removal of the cable winch and protect the operator.

 **Various attachment options** for different lower arm categories facilitate straightforward attachment.



R Standard manual control can be used if there are problems with the remote control.

R The large and robust protective grille offers safety for the operator and protects the tractor from damage.

R An optionally available cable payout facilitates cable outfeed and reduces cable wear.

R Various cable distribution system guaranteed perfect distribution of the cable and low cable wear.

R The ball-bearing-mounted cable infeed roller ensures lateral tensile forces up to 90°. The low position means that a deflection roller can be dispensed with.

R The stacking shield can optionally be delivered in a folding version, increasing ground clearance.

R The TUTUM crush protection system offers optimum protection against crushing injuries to hands due to incorrect operation.



Designed for demanding log forwarding terrain.

Geared cable winches for 3-point linkage mounting have a long tradition at Pfanzelt, as it was with these that the Pfanzelt company history started. The new logLINE series is positioned above the existing Pfanzelt series and offers 3-point linkage cable winches, which with the introduction of an additional side outrigger, offer a new level of stability on uneven terrain.

The two outriggers mean that the tractor is completely stable even when winching in difficult terrain or on highly cambered forest roads. The combination of side support with a hydraulically foldable stacking shield also increases ground clearance and the ability to stack trucks during forwarding work. To increase the safety and enable ergonomic working, Pfanzelt is also offering this series with a new hydraulic system that minimises reaction times.

The new logLINE series includes four single drum and two double drum winches with a tractive force of up to 12 t and cable lengths up to 200 m.

Technical details that impress:

- Best pulling power ratios to bottom to top cable layer
- Optimum stability due to side support and lashing lugs for secure positioning in standing timber.
- Large lifting height of sprag bearing
- Reliable power transmission with helical and worm gears immersed in oil bath
- Independent hydraulic circuit
- Equipped as standard with cable distribution, cable infeed brake and load lowering valve



logLINE (single drum)	L186	L1102	L1110EHS	L1120
Tractive force bottom cable layer in kN	86	102	102	120
Tractive force bottom cable layer in kN	62	78	78	86
Max. cable capacity Ø in mm x m	13 x 158	14 x 121	15 x 191	14 x 121
Stacking shield width (standard) mm	2,000	2,000	2,200	2,200
Drive	Mechanical via bevel gear immersed in oil bath			
Clutch	Multi-disc sintered plate set, self-adjusting			
Brake	Multi-disc plate shoes with load lowering valve			
Wireless forestry system (B&B F10)	•	•	•	•
Mechanical cable distribution	•	•	-	•
Electrohydraulic cable winding	-	-	•	-
Cable infeed brake	•	•	•	•
PHS control	•	•	•	•
Hydraulic cable payout	•	•	•	•
Hydraulic folding shield	•	•	•	•
Drive centered with direction of rotation reversal	○	○	○	○
Constant tension	○	-	-	-
Vario tension	○	○	○	○

logLINE (double drum)	L286	L2102
Tractive force bottom cable layer in kN	2 x 86	2 x 102
Tractive force upper cable layer in kN	2 x 62	2 x 78
Max. cable capacity Ø in mm x m	2 x 13 x 129	1 x 14 x 121 1 x 14 x 100
Stacking shield width (standard) mm	2,200	2,200
Drive	Mechanical via bevel gear immersed in oil bath	
Clutch	Multi-disc sintered plate set, self-adjusting	
Brake	Multi-disc plate shoes with load lowering valve	
Wireless forestry system (B&B F10)	•	•
Mechanical cable distribution	•	•
Cable infeed brake	•	•
PHS control	•	•
Hydraulic cable payout	•	•
Hydraulic folding shield	•	•
Drive centered with direction of rotation reversal	○	○
Vario traction	○	○

Please note:

To determine the optimum cable length, 10% must be deducted from the maximum cable capacity.

Important:

Please note the statutorily prescribed breaking load when selecting the cable for the cable winch.

• Standard ○ Option - Not deliverable





Custom-built geared cable winches for forestry professionals.

Mature tree harvesting on flat ground or thinning on steep slopes – the demands on a professional geared cable winch vary according to the area of application and the available equipment. Pfanzelt professional geared cable winches consist of an adaptable modular system and can therefore be easily adapted to the various deployment conditions. The underlying engineering of all Pfanzelt cable winches is the same. The complete reliability and durability of the cable winches is guaranteed by the precision worm gear used in the winch assembly and the multi-disc sintered plate sets.

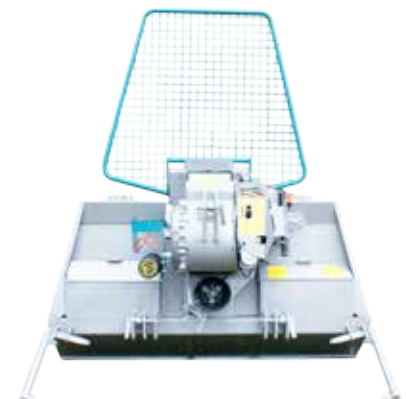
Technical specs ► Page 42

The following options for putting together your own custom trailer are available with the module system:

- Tractive force of 7 to 10 t
- Cable capacity up to 120 m
- Three different drum widths
- Variable stacking shield width
- Various cable winding systems and cable payout

Technical details that impress:

- Best pulling power ratios to bottom to top cable layer
- Reliable power transmission with helical and worm gears immersed in oil bath
- Independent hydraulic circuit
- Equipped as standard with cable distribution, cable infeed brake and load lowering valve



HERGESTELLT IN DEUTSCHLAND

Tested quality:



5.1 Technical details



Stacking shield

Pfanzelt geared cable winches are equipped with an especially robust shield made of high strength fine grained steel to create a torsion-resistant box. The resulting wedge form is able to absorb even lateral pulling powers safely, giving many years of robust service. Laterally actuated parking supports ensure that the cable winch can be conveniently attached or removed the tractor and help prevent accidents.

Standard

The stacking shield is also available as a **hydraulic folding shield**. This provides greater ground clearance and space to carry trunks.

Depending on cable winch
- see accessory items



Drive

The cable winch is driven via the tractor PTO shaft at speeds of 540, 750 or 1000 rpm. From the Cardan shaft, the drive is transmitted via a bevel gear to the precision worm gear immersed in an oil bath. This ensures very quiet running and permanent operating safety.

Multi-disc sintered plate sets are used for exact control of the braking and clutch operations and secure crossover. The complete system is protected by internal mounting.

Standard



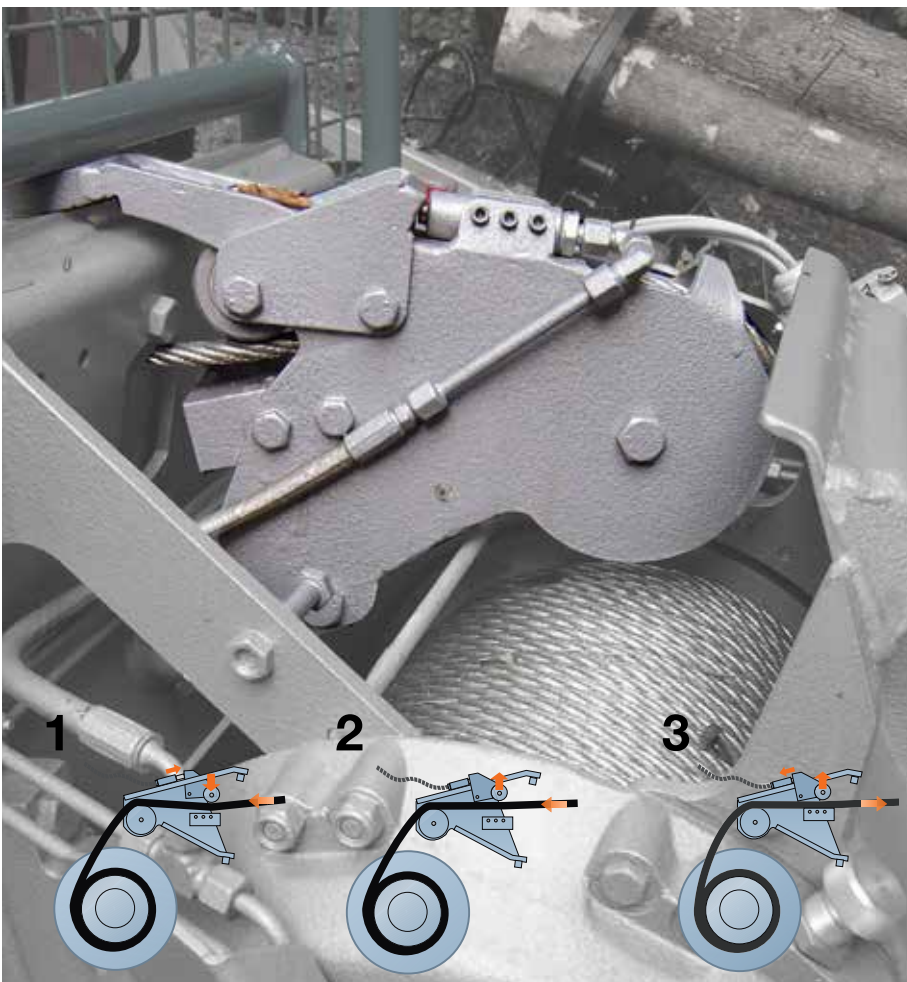
Winch unit

If the cable drum is aligned with the pulling direction, this enables easy cable payout and ensures low cable wear, as the cable is not fed out or wound in via several rollers in different directions. According to KWF tests, Pfanzelt cable winches have the lowest power requirement for paying out the cable. Moreover, the cable winch is mounted in an especially favourable position on the tractor in relation to centre of gravity.

The use of a cable drum with a large core diameter ensures very low tractive force loss from the top to bottom cable layer. According to independent tests by the KWF, the Pfanzelt cable winch has a maximum tractive force loss of 28% with maximum cable length.

The very low cable infeed height enables simple and comfortable operation without deflection roller.

Standard



cable distribution with cable infeed brake

The cable is always kept taut when drawn in, even if the trunk starts to slip or the cable is loose. All made possible by the Pfanzelt cable infeed brake. A cylinder presses the cable when it is drawn in with a brake roller against the brake block. The cylinder force is selected so that the cable can only be pressed against the brake block when it is in an unloaded state. When the cable is paid out, the brake opens completely.

Position 1

The cable infeed brake is actuated by activating the *Pull* function.

Position 2

As soon as the cable is drawn in under load, the cable infeed brake opens.

Position 3

During cable payout, the cable infeed brake opens completely and thus does not obstruct cable payout.

Standard



Cable payout

The Pfanzelt cable payout has been developed to increase operating comfort and to improve the cable winding quality on the cable drum. The cable payout device built into the pivoting arm of the cable distributor has a mechanical drive and is hydraulically actuated. As soon as the cable payout is activated, the cable is pressed firmly against the cable roll via several flexibly mounted pressure rollers over a large radius. Due to the special structure and correspondingly large contact area of the pressure rollers on the cable, the operability of the device is not impaired by soiling or cable damage.



Wireless control

In addition to the standard functions (pulling, short braking, permanent release, immediate permanent release, infinitely adjustable engine gas adjustment) the modern wireless control system that comes as standard can also if required support engine start/stop and an emergency call circuit.

Standard



4-point linkage mounting

In addition to 3-point attachment, the cable winch can also be mounted via a **4-point attachment**. This guarantees the highest degree of stability. The Pfanzelt attachment system facilitates rapid and simple attachment.

Depending on cable winch
- see accessory items



Pressure roller



Lower linkage extension 170 mm



Electrical motor speed adjustment via servomotor

VS.DRURO - pressure roller (per drum)
360 €

VS.UL170-II - lower linkage extension
170 mm
278 €

VS.ZB860 - motor speed adjustment
465 €



E.109535898 - Elec. motor speed
adjustment via prop gas module
465 €

MSS - Option F10 motor start / stop
155 €

VS.PB - Proportional brake control via
wireless controller (per drum) Enables
slow opening of winch brake via wireless
forestry system (only in combination with
forestry wireless remote control)
890 €



Pfanzelt TUTUM

The Pfanzelt Pro crush protection is an ergonomically designed grip and is fixed to the winch cable yet free to slide. It prevents the hand being crushed when the cable is drawn in or being injured by damaged cable.



Adjustable tractive force

Prevents tearing of thinner cables

VS.ZE - Adjustable tractive force
268 €

Standard



Offset gearbox

Pfanzelt cable winches with a wide cable drum can be equipped with an offset gearbox to provide a centered drive (standard equipment in some models). This is also recommended for use with tractors with an non-centered PTO stub. An offset gearbox with direction of rotation reversal can also be provided for front-and rear-mounting.



Storage space

Specially designed holders for chain-saws and fuel canisters as well as two additional storage bins equipped with lids provide lots of storage capacity for forestry work.



Deflection roller

Deflection roller 15 t (weight 12 kg)

Standard

900 €



Top linkage

VS.ZB860 - Top link cat. 2

149 €

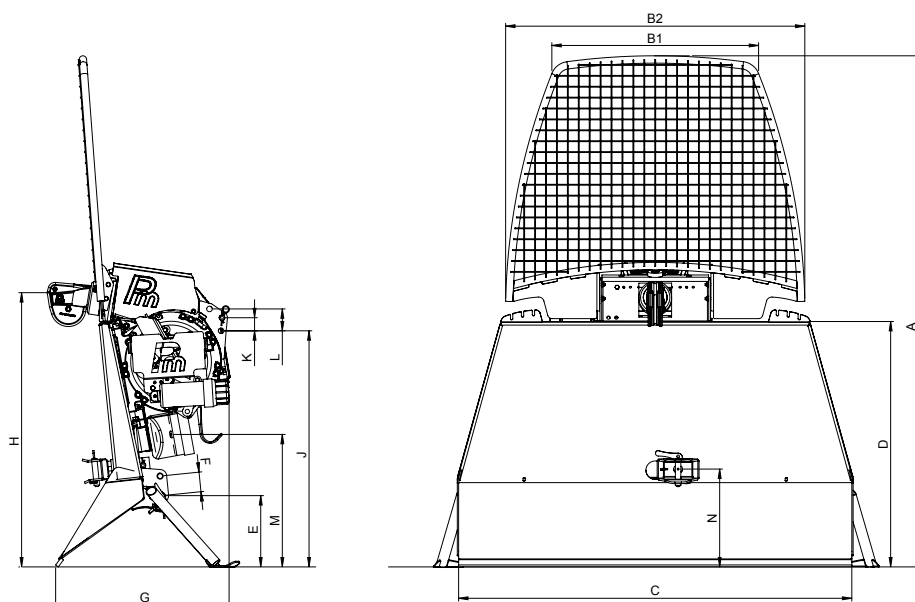
Single drum cable winches	P170	P172	P185	P186	P1102
Tractive force of bottom cable layer	70 kN	72 kN	85 kN	86 kN	102 kN
Tractive force of top cable layer	56 kN	56 kN	67 kN	62 kN	78 kN
Avg. cable speed					
at 540 rpm	0.57 m/s	0.57 m/s	0.43 m/s	0.43 m/s	0.43 m/s
at 750 rpm	0.80 m/s	0.80 m/s	0.60 m/s	0.60 m/s	0.60 m/s
at 1000 rpm	1.05 m/s	1.05 m/s	0.80 m/s	0.80 m/s	0.80 m/s
Maximum cable capacity	138 m Ø 12 mm	102 m Ø 12 mm	129 m Ø 13 mm	158 m Ø 13 mm	121 m Ø 14 mm
Stacking shield width (standard) mm	1,800	1,800	2,000	1,800	1,800
3-point linkage category	Category 1 and 2			Category 2 and 3	
Control	Electrical pressure sensing control with immersed armature magnetic valve.				
Drive	Mechanical via bevel gear immersed in oil bath				
Clutch	Multi-disc sintered plate set, self-adjusting				
Brake	Multi-disc plate linings with load lowering valve				
Wireless control system	B&BF10ET				
Mech. cable distribution	●	●	●	●	●
Cable infeed brake	●	●	●	●	●
PHS control	-	●	-	●	●
Automatic cable winding via cross spindles	-	-	-	-	○
Cable payout	●	○	●	○	○
Hydraulic folding shield	○	○	○	○	○
Protective grille (as per accident prevention regulations)	●	●	●	●	●
Cardan shaft	●	●	●	●	●
Drive centered	●	-	●	●	●
Drive centered with direction of rotation reversal	○	○	○	○	○
Weight (approx. without cable)	590 kg	570 kg	640 kg	590 kg	650 kg

Double drum cable winches	P260	P272	P285
Tractive force bottom cable layer	2 x 60 kN	2 x 72 kN	2 x 85 kN
Tractive force top cable layer	2 x 42 kN	2 x 58 kN	2 x 61 kN
Avg. cable speed			
at 540 rpm ¹	0.57 m/s	0.43 m/s	0.43 m/s
at 750 rpm	0.80 m/s	0.60 m/s	0.60 m/s
at 1000 rpm	1.05 m/s	0.80 m/s	0.80 m/s
Max. cable capacity	2 x 88 m Ø 11 mm	2 x 102 m Ø 12 mm	2 x 129 m Ø 13 mm
Stacking shield width standard	1,800 mm	1,800 mm	2,000 mm
3-point linkage category	Category 1 and 2		Category 2 and 3
Control	Electrical pressure sensing control with immersed armature magnetic valve		
Drive	Mechanical via bevel gear immersed in oil bath		
Clutch	Multi-disc sintered plate set, self-adjusting		
Brake	Multi-disc plate set with load lowering valve		
Wireless set	B&B F10DT		
Mech. cable distribution	○	●	●
Cable infeed brake	○	●	●
PHS control	-	●	●
Cable payout	-	●	●
Hydraulic folding shield	○	○	○
Protective grille (as per accident prevention regulations)	●	●	●
Cardan shaft	●	●	●
Drive centered	●	●	●
Drive centered with direction of rotation reversal	○	○	○
Weight (approx. without cable)	590 kg	660 kg	710 kg

● Standard ○ Option - Not deliverable

	P170	P172	P185	P186	P1102	P260	P272	P285
A	2,340 mm	2,340 mm	2,340 mm	2,340 mm	2,340 mm	2,340 mm	2,340 mm	2,340 mm
B1	946 mm	946 mm	946 mm	946 mm	946 mm	946 mm	946 mm	946 mm
B2	1,370 mm	1,370 mm	1,370 mm	1,370 mm	1,370 mm	1,370 mm	1,370 mm	1,370 mm
C ¹	1,800 mm	1,800 mm	2,000 mm	1,800 mm	1,800 mm	1,800 mm	1,800 mm	2,000 mm
D	1,123 mm	1,123 mm	1,123 mm	1,123 mm	1,123 mm	1,123 mm	1,123 mm	1,123 mm
E	326 mm	326 mm	326 mm	326 mm	326 mm	326 mm	326 mm	326 mm
F	90 mm	90 mm	90 mm	90 mm	90 mm	90 mm	90 mm	90 mm
G	792 mm	792 mm	792 mm	792 mm	792 mm	792 mm	792 mm	792 mm
H	1,255 mm	1,255 mm	1,255 mm	1,255 mm	1,255 mm	1,255 mm	1,255 mm	1,255 mm
I	1,082 mm	1,082 mm	1,082 mm	1,082 mm	1,082 mm <td 1,082 mm	1,082 mm	1,082 mm	
K	60 mm	60 mm	60 mm	60 mm	60 mm	60 mm	60 mm	60 mm
L	100 mm	100 mm	100 mm	100 mm	100 mm	100 mm	100 mm	100 mm
M	606 mm	606 mm	606 mm	606 mm	606 mm	606 mm	606 mm	606 mm
N	437 mm	437 mm	437 mm	437 mm	437 mm	437 mm	437 mm	437 mm

¹ with standard stacking shield width



Please note:

To determine the optimum cable length, 10% must be deducted from the maximum cable capacity.

Important:

Please note the statutorily prescribed breaking load when selecting the cable for the cable winch.

Profi single drum cable winches

Winch type	Tractive force	Recommended tractor power
P170	70 kN	approx. 40 - 90 kW
P172	80 kN	approx. 40 - 90 kW
P185	85 kN	approx. 55 - 100 kW
P186	86 kN	approx. 55 - 100 kW
P1102	102 kN	approx. 70 - 120 kW

Profi double drum cable winches

P260	2x 60 kN	approx. 55 - 100 kW
P272	2x 72 kN	approx. 70 - 120 kW
P285	2x 85 kN	approx. 100 - 150 kW

• Standard ◦ Option - Not deliverable



Illustration may vary from original.

Most important sales arguments:

- Lowest tractive force loss from bottom to top cable layer
- Precise control via plate clutch, brake and independent hydraulic supply.
- Large standard range of equipment: including with cable distribution with load-dependent cable infeed brake.

Required tractor equipment:

- PTO speed 540, 750 or 1,000 rpm
- 4-pin socket for power supply of wireless remote control (socket is included as standard in the scope of delivery of the cable winch)

Technical specs

P172

Traction in lower cable layer	72 kN
Traction in upper cable layer	56 kN
Standard cable length (high density forestry cable with sliding hook)	Ø 12 mm x 60 m
<i>Maximum cable capacity (high density forestry cable)</i>	<i>Ø 12 mm x 102 m</i>
<i>Maximum cable capacity (special plastic cable)</i>	<i>Ø 12 mm x 138 m</i>
Worm and helical gear in oil bath	•
Multi-plate clutch	•
Multi-plate brake	•
Average cable speed at 540 rpm	0.57 m/s
Average cable speed at 750 rpm	0.80 m/s
Average cable speed at 1,000 rpm	1.05 m/s
Independent hydraulic supply	•
B&B type F10 forestry wireless remote control	•
Stacking shield width (standard)	1,800 mm
Cable distribution and cable infeed brake	•
PHS control	•
Protective grille as per UVV	•
Holder for chain saw and fuel canister	•
Cardan shaft	•
Towing coupling	•
Weight (without cable)	approx. 590 kg
Total price	14,950 €

On this page you can find optional accessories suitable for the P172 geared cable winch. You will find images, technical information and detailed explanations of the optional extras arranged according to category and order number in the previous section of the price list.

Category	Name	Order no.	Price
Stacking shield	Stacking shield 2,000 mm	VS.ZB.2000	500 €
	Stacking shield 2,200 mm	VS.ZB2200	700 €
	Stacking shield 2,400 mm	VS.ZB2400	1,100 €
	Hydraulic folding shield	VS.KLAPS	3,150 €
	4-point linkage incl. hydraulic folding shield	VS.4PUNKT	5,450 €
	Bottom linkage extension Cat. 2	VS.UL170-II	278 €
Cable payout	Hydr. cable payout	VS.SAET	2,950 €
Winch unit	Proportional brake control	VS.PB	890 €
	Vario traction: Adjustable tractive force	VS.ZE	268 €
	Constant traction		On request
	Load lowering valve also adjustable via handwheel	VS.797831	185 €
Drive	Offset gearbox for centered drive	VS.SM	930 €
	Offset gearbox for centered drive with direction of rotation reversal for front mounting with two studs (surcharge)	VS.SMU	1,580 €
Wireless control	Without standard wireless equipment (reduced price)		./ 1,330 €
	Motor start/stop for B&B F10 forestry wireless remote control without installation (surcharge)	VS.MSS	155 €
	Electrical motor speed adjustment via servomotor	VS.ZB860	465 €
	Electrical motor speed adjustment via prop gas module	E.109535898	465 €
Cable	Without standard cable equipment	CABLE	./ 380 €
Shipment	Transport and packaging (Germany only)	FRACHT91	195 €
	Transport and packaging (EU except for Germany)		On request



Illustration may vary from original.

Most important sales arguments:

- Lowest tractive force loss from bottom to top cable layer
- Precise control via plate clutch, brake and independent hydraulic supply.
- Large standard range of equipment: including with cable distribution with load-dependent cable infeed brake.

Required tractor equipment:

- PTO speed 540, 750 or 1,000 rpm
- 4-pin socket for power supply of wireless remote control (socket is included as standard in the scope of delivery of the cable winch)

Technical specs

	P186
Traction in lower cable layer	86 kN
Traction in upper cable layer	62 kN
Standard cable length (high density forestry cable with sliding hook)	Ø 13 mm x 120 m
<i>Maximum cable capacity (high density forestry cable)</i>	<i>Ø 13 mm x 158 m</i>
<i>Maximum cable capacity (special plastic cable)</i>	<i>Ø 12 mm x 138 m</i>
Worm and helical gear in oil bath	•
Multi-plate clutch	•
Multi-plate brake	•
Average cable speed at 540 rpm	0.43 m/s
Average cable speed at 750 rpm	0.60 m/s
Average cable speed at 1,000 rpm	0.80 m/s
Independent hydraulic supply	•
B&B type F10 forestry wireless remote control	•
Stacking shield width (standard)	1,800 mm
Offset gearbox with centered drive	•
Cable distribution and cable infeed brake	•
PHS control	•
Protective grille as per UVV	•
Holder for chain saw and fuel canister	•
Cardan shaft	•
Towing coupling	•
Weight (without cable)	approx. 590 kg
Total price	19,500 €

On this page you can find optional accessories suitable for the P186 geared cable winch. You will find images, technical information and detailed explanations of the optional extras arranged according to category and order number in the previous section of the price list.

Category	Name	Order no.	Price
Stacking shield	Stacking shield 2,000 mm	VS.ZB.2000	500 €
	Stacking shield 2,200 mm	VS.ZB2200	700 €
	Stacking shield 2,400 mm	VS.ZB2400	1,100 €
	Hydraulic folding shield	VS.KLAPS	3,150 €
	4-point linkage incl. hydraulic folding shield	VS.4PUNKT	5,450 €
	Bottom linkage extension Cat. 2	VS.UL170-II	278 €
Cable payout	Hydr. cable payout	VS.SAET	2,950 €
Winch unit	Proportional brake control	VS.PB	890 €
	Vario traction: Adjustable tractive force	VS.ZE	268 €
	Constant traction		On request
	Load lowering valve also adjustable via handwheel	VS.797831	185 €
Drive	Offset gearbox for centered drive with direction of rotation reversal for front mounting with two studs (surcharge)	VS.SMU	660 €
Wireless control	Without standard wireless equipment (reduced price)		./ 1,330 €
	Motor start/stop for B&B F10 forestry wireless remote control without installation (surcharge)	VS.MSS	155 €
	Electrical motor speed adjustment via servomotor	VS.ZB860	465 €
	Electrical motor speed adjustment via prop gas module	E.109535898	465 €
Cable	Without standard cable equipment	CABLE	./ 795 €
Shipment	Transport and packaging (Germany only)	FRACHT91	195 €
	Transport and packaging (EU except for Germany)		On request



Illustration may vary from original.

Most important sales arguments:

- Lowest tractive force loss from bottom to top cable layer
- Precise control via plate clutch, brake and independent hydraulic supply.
- Large standard range of equipment: including with cable distribution with load-dependent cable infeed brake.

Required tractor equipment:

- PTO speed 540, 750 or 1,000 rpm
- 4-pin socket for power supply of wireless remote control (socket is included as standard in the scope of delivery of the cable winch)

Technical specs

	P1102
Traction in lower cable layer	102 kN
Traction in upper cable layer	78 kN
Standard cable length (high density forestry cable with sliding hook)	Ø 14 mm x 100 m
<i>Maximum cable capacity (high density forestry cable)</i>	<i>Ø 14 mm x 121 m</i>
<i>Maximum cable capacity (special plastic cable)</i>	<i>Ø 12 mm x 138 m</i>
Worm and helical gear in oil bath	•
Multi-plate clutch	•
Multi-plate brake	•
Load lowering valve	•
Average cable speed at 540 rpm	0.43 $\frac{m}{s}$
Average cable speed at 750 rpm	0.60 $\frac{m}{s}$
Average cable speed at 1,000 rpm	0.80 $\frac{m}{s}$
Independent hydraulic supply	•
B&B type F10 forestry wireless remote control	•
Stacking shield width (standard)	1,800 mm
Offset gearbox with centered drive	•
Cable distribution and cable infeed brake	•
PHS control	•
Protective grille as per UVV	•
Holder for chain saw and fuel canister	•
Cardan shaft	•
Towing coupling	•
Weight (without cable)	approx. 650 kg
Total price	21,300 €

On this page you can find optional accessories suitable for the P1102 geared cable winch. You will find images, technical information and detailed explanations of the optional extras arranged according to category and order number in the previous section of the price list.

Category	Name	Order no.	Price
Stacking shield	Stacking shield 2,000 mm	VS.ZB.2000	500 €
	Stacking shield 2,200 mm	VS.ZB2200	700 €
	Stacking shield 2,400 mm	VS.ZB2400	1,100 €
	Hydraulic folding shield	VS.KLAPS	3,150 €
	4-point linkage incl. hydraulic folding shield	VS.4PUNKT	5,450 €
	Bottom linkage extension Cat. 2	VS.UL170-II	278 €
Cable payout	Hydr. cable payout	VS.SAET	2,950 €
Winch unit	Proportional brake control	VS.PB	890 €
	Vario traction: Adjustable tractive force	VS.ZE	268 €
	Load lowering valve also adjustable via handwheel	VS.797831	185 €
Drive	Offset gearbox for centered drive with direction of rotation reversal for front mounting with two studs (surcharge)	VS.SMU	660 €
Wireless control	Without standard wireless equipment (reduced price)		./ 1,330 €
	Motor start/stop for B&B F10 forestry wireless remote control without installation (surcharge)	VS.MSS	155 €
	Electrical motor speed adjustment via servomotor	VS.ZB860	465 €
	Electrical motor speed adjustment via prop gas module	E.109535898	465 €
Cable	Without standard cable equipment	CABLE	./ 705 €
Shipment	Transport and packaging (Germany only)	FRACHT91	195 €
	Transport and packaging (EU except for Germany)		On request



Illustration may vary from original.

Most important sales arguments:

- Lowest tractive force loss from bottom to top cable layer
- Precise control via plate clutch, brake and independent hydraulic supply.
- Large standard range of equipment: including with cable distribution with load-dependent cable infeed brake.

Required tractor equipment:

- PTO speed 540, 750 or 1,000 rpm
- 4-pin socket for power supply of wireless remote control (socket is included as standard in the scope of delivery of the cable winch)

Technical specs

P272

Traction in lower cable layer	2 x 72 kN
Traction in upper cable layer	2 x 58 kN
Standard cable length (high density forestry cable with sliding hook)	2 x Ø 12 mm x 60 m
<i>Maximum cable capacity (high density forestry cable)</i>	<i>2 x Ø 12 mm x 102 m</i>
<i>Maximum cable capacity (special plastic cable)</i>	<i>Ø 12 mm x 138 m</i>
Worm and helical gear in oil bath	•
Multi-plate clutch	•
Multi-plate brake	•
Load lowering valve	•
Average cable speed at 540 rpm	0.43 $\frac{m}{s}$
Average cable speed at 750 rpm	0.60 $\frac{m}{s}$
Average cable speed at 1,000 rpm	0.80 $\frac{m}{s}$
Independent hydraulic supply	•
B&B type F10 forestry wireless remote control	•
Stacking shield width (standard)	1,800 mm
PHS control	•
Cable distribution and cable infeed brake	•
Protective grille as per UVV	•
Holder for chain saw and fuel canister	•
Cardan shaft	•
Towing coupling	•
Weight (without cable)	approx. 590 kg
Total price	25,600 €

On this page you can find optional accessories suitable for the P272 geared cable winch. You will find images, technical information and detailed explanations of the optional extras arranged according to category and order number in the previous section of the price list.

Category	Name	Order no.	Price
Stacking shield	Stacking shield 2,000 mm	VS.ZB.2000	500 €
	Stacking shield 2,200 mm	VS.ZB2200	700 €
	Stacking shield 2,400 mm	VS.ZB2400	1,100 €
	Hydraulic folding shield	VS.KLAPS	3,150 €
	4-point linkage incl. hydraulic folding shield	VS.4PUNKT	5,450 €
	Bottom linkage extension Cat. 2	VS.UL170-II	278 €
Cable payout	Hydr. cable payout single drum	VS.SAET	2,950 €
	Hydr. cable payout for double drum	SADT	5,900 €
Winch unit	Proportional brake control per drum	VS.PB	890 €
	Vario traction: Adjustable tractive force	VS.ZE	268 €
	Constant traction		On request
	Load lowering valve also adjustable via handwheel	VS.797831	185 €
Drive	Gearbox for centered drive with direction of rotation reversal for front mounting with two studs (surcharge)	VS.SMUDT	1,050 €
Wireless control	Without standard wireless control equipment	E.109536010	./ 1,590 €
	Motor start/stop for B&B F10 forestry wireless remote control without installation (surcharge)	VS.MSS	155 €
	Electrical motor speed adjustment via servomotor	VS.ZB860	465 €
	Electrical motor speed adjustment via prop gas module	E.109535898	465 €
Cable	Without standard cable equipment	CABLE	./ 760 €
Shipment	Transport and packaging (Germany only)	FRACHTDT	310 €
	Transport and packaging (EU except for Germany)		On request



Illustration may vary from original.

Most important sales arguments:

- Lowest tractive force loss from bottom to top cable layer
- Precise control via plate clutch, brake and independent hydraulic supply.
- Large standard range of equipment: including with cable distribution with load-dependent cable infeed brake.

Required tractor equipment:

- PTO speed 540, 750 or 1,000 rpm
- 4-pin socket for power supply of wireless remote control (socket is included as standard in the scope of delivery of the cable winch)

Technical specs

P285

Traction in lower cable layer	2 x 85 kN
Traction in upper cable layer	2 x 61 kN
Standard cable length (high density forestry cable with sliding hook)	2 x Ø 13 mm x 100 m
Maximum cable capacity (high density forestry cable)	2 x Ø 13 mm x 129 m
Maximum cable capacity (special plastic cable)	Ø 12 mm x 138 m
Worm and helical gear in oil bath	•
Multi-plate clutch	•
Multi-plate brake	•
Load lowering valve	•
Average cable speed at 540 rpm	0.43 m/s
Average cable speed at 750 rpm	0.60 m/s
Average cable speed at 1,000 rpm	0.80 m/s
Independent hydraulic supply	•
B&B type F10 forestry wireless remote control	•
Stacking shield width (standard)	2,000 mm
PHS control	•
Cable distribution and cable infeed brake	•
Protective grille as per UVV	•
Holder for chain saw and fuel canister	•
Cardan shaft	•
Towing coupling	•
Weight (without cable)	approx. 710 kg
Total price	29,300 €

On this page you can find optional accessories suitable for the P285 geared cable winch. You will find images, technical information and detailed explanations of the optional extras arranged according to category and order number in the previous section of the price list.

Category	Name	Order no.	Price
Stacking shield	Stacking shield 2,200 mm	VS.ZB2200	700 €
	Stacking shield 2,400 mm	VS.ZB2400	1,100 €
	Hydraulic folding shield	VS.KLAPS	3,150 €
	4-point linkage incl. hydraulic folding shield	VS.4PUNKT	5,450 €
	Bottom linkage extension Cat. 2	VS.UL170-II	278 €
Cable payout	Hydr. cable payout single drum	VS.SAET	2,950 €
	Hydr. cable payout for double drum	SADT	5,900 €
Winch unit	Proportional brake control per drum	VS.PB	890 €
	Vario traction: Adjustable tractive force	VS.ZE	268 €
	Constant traction		On request
	Load lowering valve also adjustable via handwheel	VS.797831	185 €
Drive	Gearbox for centered drive with direction of rotation reversal for front mounting with two studs (surcharge)	VS.SMUDT	1,050 €
Wireless control	Without standard wireless equipment (reduced price)	E.109536010	./ 1,590 €
	Motor start/stop for B&B F10 forestry wireless remote control without installation (surcharge)	VS.MSS	155 €
	Electrical motor speed adjustment via servomotor	VS.ZB860	465 €
	Electrical motor speed adjustment via prop gas module	E.109535898	465 €
Cable	Without standard cable equipment	CABLE	./ 1,320 €
Shipment	Transport and packaging (Germany only)	FRACHTDT	310 €
	Transport and packaging (EU except for Germany)		On request



Illustration may vary from original.

Most important sales arguments:

- Lowest tractive force loss from bottom to top cable layer
- Precise control via plate clutch, brake and independent hydraulic supply.
- Large standard range of equipment: including with cable distribution with load-dependent cable infeed brake and cable payout.

Required tractor equipment:

- PTO speed 540, 750 or 1,000 rpm
- 4-pin socket for power supply of wireless remote control (socket is included as standard in the scope of delivery of the cable winch)

Technical specs

Tractive force lower cable layer

P170 SPECIAL OFFER

70 kN

Traction in upper cable layer

56 kN

Standard cable length

(high density forestry cable with sliding hook)

Ø 12 mm x 80 m

Maximum cable capacity (high density forestry cable)

Ø 12 mm x 138 m

Maximum cable capacity (special plastic cable)

Ø 12 mm x 138 m

Worm and helical gear
in oil bath

•

Multi-plate clutch

•

Multi-plate brake

•

Load lowering valve

•

Average cable speed at 540 rpm

0.57 m/s

Average cable speed at 750 rpm

0.80 m/s

Average cable speed at 1,000 rpm

1.05 m/s

Independent hydraulic supply

•

B&B type F10 forestry wireless remote control

•

Stacking shield width (standard)

1,800 mm

Offset gearbox with centered drive

•

Cable distribution and cable infeed brake

•

Hydromechanical cable payout

•

Protective grille as per UVV

•

Holder for chain saw and fuel canister

•

Cardan shaft

•

Towing coupling

•

Weight (without cable)

approx. 590 kg

Total price

14,630 €

On this page you can find optional accessories suitable for the P170 geared cable winch SPECIAL OFFER.
 You will find images, technical information and detailed explanations of the optional extras arranged according to category and order number in the previous section of the price list.

Category	Name	Order no.	Price
Stacking shield	Stacking shield 2,000 mm	VS.ZB.2000	450 €
	Stacking shield 2,200 mm	VS.ZB2200	650 €
	Stacking shield 2,400 mm	VS.ZB2400	960 €
	Hydraulic folding shield	VS.KLAPS	2,890 €
	4-point linkage incl. hydraulic folding shield	VS.4PUNKT	4,820 €
	Bottom linkage extension Cat. 2	VS.UL170-II	257 €
Drive	Offset gearbox for centered drive with direction of rotation reversal for front mounting with two studs (surcharge)	VS.SMU	570 €
Wireless control	Motor start/stop for B&B F10 forestry wireless remote control without installation (surcharge)	VS.MSS	155 €
	Electrical motor speed adjustment via servomotor	VS.ZB860	415 €
	Electrical motor speed adjustment via prop gas module	E.109535898	415 €
Cable	Long cable version P170 Ø 12 mm x 120 m	VS.LSP170	250 €
Shipment	Transport and packaging (Germany only)	FRACHT91	195 €
	Transport and packaging (EU except for Germany)		On request



Illustration may vary from original.

The powerful complete package for the professional.

Most important sales arguments:

- Lowest tractive force loss from bottom to top cable layer
- Precise control via plate clutch, brake and independent hydraulic supply.
- Large standard range of equipment: including with cable distribution with load-dependent cable infeed brake and cable payout.

Required tractor equipment:

- PTO speed 540, 750 or 1,000 rpm
- 4-pin socket for power supply of wireless remote control (socket is included as standard in the scope of delivery of the cable winch)

Technical specs

P185 SPECIAL OFFER

Traction in lower cable layer	85 kN
Traction in upper cable layer	67 kN
Standard cable length (high density forestry cable with sliding hook)	Ø 13 mm x 70 m
Maximum cable capacity (high density forestry cable)	Ø 13 mm x 129 m
Maximum cable capacity (special plastic cable)	Ø 12 mm x 138 m
Worm and helical gear in oil bath	•
Multi-plate clutch	•
Multi-plate brake	•
Load lowering valve	•
Average cable speed at 540 rpm	0.43 m/s
Average cable speed at 750 rpm	0.60 m/s
Average cable speed at 1,000 rpm	0.80 m/s
Independent hydraulic supply	•
B&B type F10 forestry wireless remote control	•
Stacking shield width (standard)	2,000 mm
Offset gearbox with centered drive	•
Cable distribution and cable infeed brake	•
Hydromechanical cable payout	•
Protective grille as per UVV	•
Holder for chain saw and fuel canister	•
Cardan shaft	•
Towing coupling	•
Weight (without cable)	approx. 640 kg
Total price	16,430 €

On this page you can find optional accessories suitable for the P185 geared cable winch SPECIAL OFFER.
 You will find images, technical information and detailed explanations of the optional extras arranged according to category and order number in the previous section of the price list.

Category	Name	Order no.	Price
Stacking shield	Stacking shield 1,800 mm	VS.ZB1800	0 €
	Stacking shield 2,200 mm	VS.ZB2200	650 €
	Stacking shield 2,400 mm	VS.ZB2400	960 €
	Hydraulic folding shield	VS.KLAPS	2,890 €
	4-point linkage incl. hydraulic folding shield	VS.4PUNKT	4,820 €
	Bottom linkage extension Cat. 2	VS.UL170-II	257 €
Drive	Offset gearbox for centered drive with direction of rotation reversal for front mounting with two studs (surcharge)	VS.SMU	570 €
Wireless control	Motor start/stop for B&B F10 forestry wireless remote control without installation (surcharge)	VS.MSS	155 €
	Electrical motor speed adjustment via servomotor	VS.ZB860	415 €
	Electrical motor speed adjustment via prop gas module	E.109535898	415 €
Cable	Long cable version P185 Ø 13 mm x 110 m	VS.LSP185	250 €
Shipment	Transport and packaging (Germany only)	FRACHT91	195 €
	Transport and packaging (EU except for Germany)		On request



Illustration may vary from original.

The affordable double drum cable winch.

Most important sales arguments:

- Lowest tractive force loss from bottom to top cable layer
- Precise control via plate clutch, brake and independent hydraulic supply.

Required tractor equipment:

- PTO speed 540, 750 or 1,000 rpm
- 4-pin socket for power supply of wireless remote control (socket is included as standard in the scope of delivery of the cable winch)

Technical specs

P260 SPECIAL OFFER

Traction in lower cable layer	2 x 60 kN
Traction in upper cable layer	2 x 42 kN
Standard cable length (high density forestry cable with sliding hook)	2 x Ø 11 mm x 70 m
Maximum cable capacity (high density forestry cable)	2 x Ø 11 mm x 88 m
Maximum cable capacity (special plastic cable)	Ø 12 mm x 138 m
Worm and helical gear in oil bath	•
Multi-plate clutch	•
Multi-plate brake	•
Load lowering valve	•
Average cable speed at 540 rpm	0.57 m/s
Average cable speed at 750 rpm	0.80 m/s
Average cable speed at 1,000 rpm	1.05 m/s
Independent hydraulic supply	•
B&B type F10 forestry wireless remote control	•
Stacking shield width (standard)	1,800 mm
Protective grille as per UVV	•
Holder for chain saw and fuel canister	•
Cardan shaft	•
Towing coupling	•
Weight (without cable)	approx. 590 kg
Total price	15,900 €

On this page you can find optional accessories suitable for the P260 geared cable winch SPECIAL OFFER. You will find images, technical information and detailed explanations of the optional extras arranged according to category and order number in the previous section of the price list.

Category	Name	Order no.	Price
Stacking shield	Stacking shield 2,000 mm	VS.ZB2000	450 €
	Stacking shield 2,200 mm	VS.ZB2200	650 €
	Hydraulic folding shield		2,890 €
	4-point linkage incl. hydraulic folding shield	VS.4PUNKT	4,820 €
	Bottom linkage extension Cat. 2	VS.UL170-II	257 €
Drive	Offset gearbox for centered drive with direction of rotation reversal for front mounting with two studs (surcharge)	VS.SMUDT	920 €
Wireless control	Motor start/stop for B&B F10 forestry wireless remote control without installation (surcharge)	VS.MSS	155 €
	Electrical motor speed adjustment via servomotor	VS.ZB860	415 €
	Electrical motor speed adjustment via prop gas module	E.109535898	415 €
Cable guide	Cable distribution with cable infeed brake	VS.SVSEBP260	3,180 €
Shipment	Transport and packaging (Germany only)	FRACHTDT	310 €
	Transport and packaging (EU except for Germany)		On request



Entry into the geared winch class.

Until a few years ago, only professional operations could afford geared cable winches because of the small production runs and heavy duty design. All this has changed since the introduction of the new Pfanzelt S-line cable winch series. With the S-line geared cable winch, Pfanzelt now offers geared cable winches especially designed for semi-professional contractors and tree farmers with an attractive price/performance ratio. The design is the same as with the larger models, only the dimensions have been rescaled to match the size of the usually smaller tractors.

Technical specs ► Page 52

Technical details that impress:

- Very low cable payout forces of only 30 N by mounting the cable drum in the direction of travel (confirmed by KWF)
- Lowest tractive force loss of only 21% from the top to bottom cable layer due to use of drum with large core diameter.
- Precision steering of braking and gear shifting process by multi-disc plate set and independent hydraulic circuit.
- Pfanzelt PPS precision controller for adapting the cable winch to the forwarding situation in three stages
- Wireless control as standard with engine speed adjustment function
- Custom-made accessories: Cable distribution with cable infeed brake, hydromechanical cable payout, various shield widths and much more.

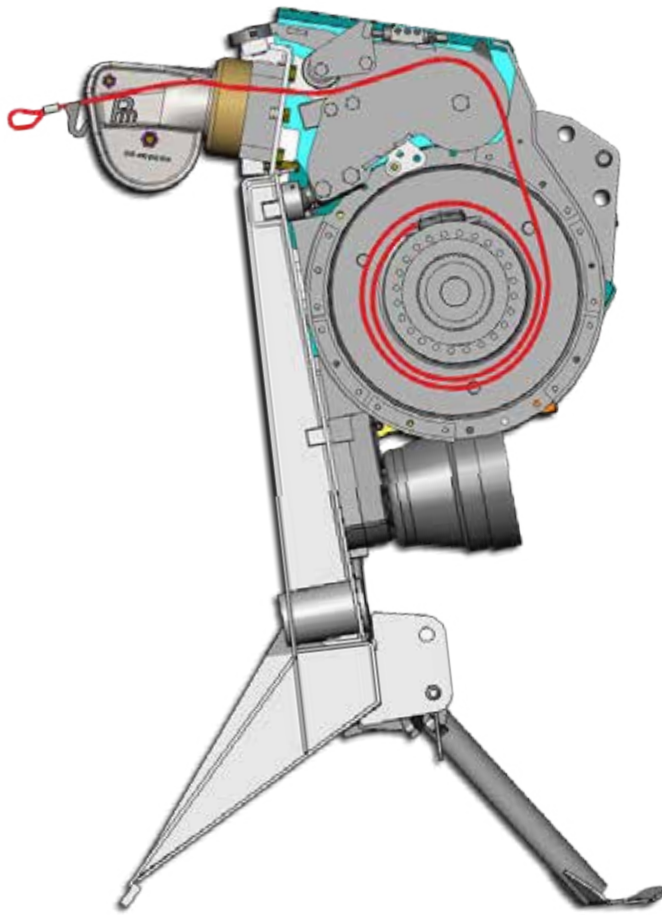


HERGESTELLT IN DEUTSCHLAND

Tested quality:



6.1 Technical details



Stacking shield

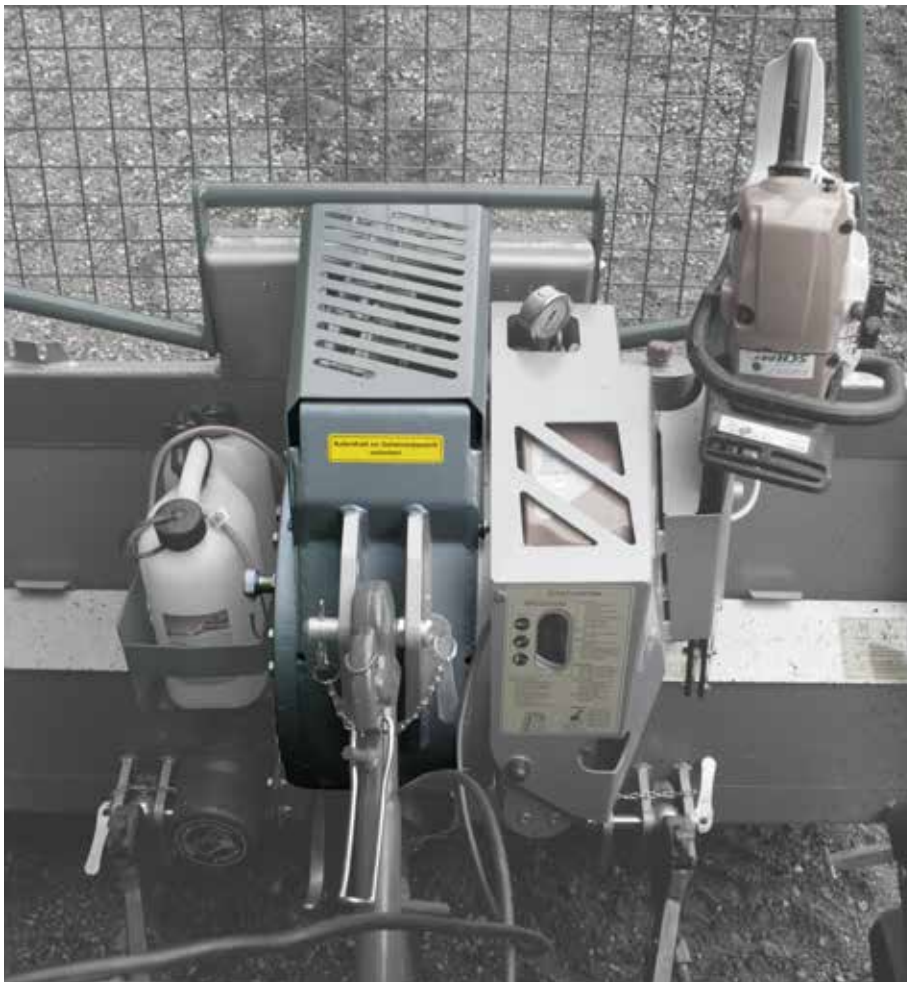
Pfanzelt S-line geared cable winches are equipped with an especially robust stacking shield made of high strength fine grained steel to create a torsion-resistant box. The resulting wedge form is able to absorb even lateral pulling powers safely, giving many years of robust service. Laterally actuated parking supports ensure that the cable winch can be conveniently attached or removed the tractor, preventing accidents.

Cable drums

The use of a cable drum with a large core diameter ensures very low tractive force loss from the top to bottom cable layer.

According to independent tests by the KWF, the S-line cable winch has a maximum tractive force loss of 21% with a standard cable length. The very low cable infeed height enables simple and comfortable operation without deflection roller.

Standard



Winch unit

The alignment of the cable drum in the pulling direction enables easy cable payout and ensures low cable wear, as the cable is not fed out and wound in via several rollers in different directions. According to KWF tests, Pfanzelt geared cable winches have the lowest power requirement for paying out the cable. Moreover, the cable winch is mounted in an especially favourable position on the tractor in relation to centre of gravity.

Standard



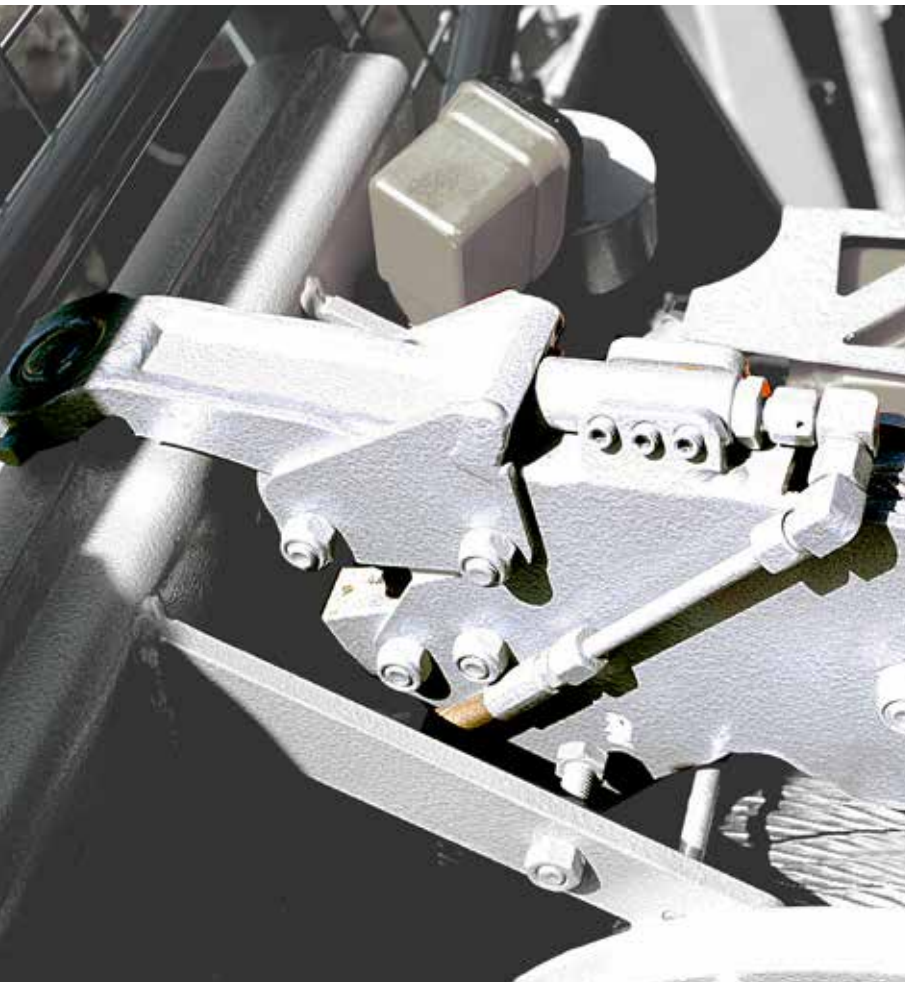
Drive system

The cable winch is driven via the tractor PTO shaft at speeds of 540, 750 or 1000 rpm. From the Cardan shaft, the drive is transmitted via a bevel gear to the precision worm gear immersed in an oil bath. This ensures very quiet running and permanent operating safety.



Multi-disc sintered plate sets are used for exact control of the braking and clutch operations and secure crossover. The complete system is protected by internal mounting.

Standard



Cable infeed brake & distributor

The cable is always kept taut when drawn in, even if the trunk starts to slip or the cable is loose. All made possible by the Pfanzelt cable infeed brake. A cylinder presses the cable when it is drawn in with a brake roller against the brake block. The cylinder force is selected so that the cable can only be pressed against the brake block when it is in an unloaded state. When the cable is paid out, the brake opens completely.

Depending on cable winch
- see accessory items



Cable payout (optional)

The Pfanzelt cable payout has been developed to increase operating comfort and to improve the cable winding quality on the cable drum and is designed for long-term durability.

The cable payout device built into the pivoting arm of the cable distributor has a mechanical drive and is hydraulically actuated. It is mounted behind the stacking shield as a protection against damage. The cable payout facilitates working on slopes, especially at great cable lengths. The cable is pressed against the cable roll via several flexibly mounted pressure rollers over a large radius.



Depending on cable winch
- see accessory items



Storage space

Specially designed holders for chain saws and fuel canisters as well as two additional storage bins equipped with lids provide lots of storage capacity for forestry work.



PPS controller

With the Pfanzelt PPS precision controller, which is unique on the market, the cable winch can be adapted to the respective forwarding situation. The operator can rapidly and easily adjust the crossover of the clutch and brake by preselection. This offers maximum operating comfort and the greatest degree of safety. The wireless remote control with motor speed adjustment is also standard.

Standard

	S150	S160	S172
Tractive force of bottom cable layer	50 kN	60 kN	72 kN
Tractive force of bottom cable layer	40 kN	47 kN	56 kN
Standard cable length (high density forestry cable with sliding hook)	Ø 10 mm x 70 m	Ø 11 mm x 70 m	Ø 12 mm x 60 m
Forestry wireless remote control	Vetta remote control with rocker switch/emergency stop		
Pfanzelt PPS	•	•	•
Stacking shield width standard	1,500 mm	1,500 mm	1,800 mm
Weight	approx. 380 kg	approx. 390 kg	approx. 420 kg

Accessories

Cable distributor with cable infeed brake	○	○	○
Long cable package	○	○	○
incl. cable distributor with cable infeed brake	Ø 10 mm x 110 m	Ø 11 mm x 100 m	Ø 12 mm x 90 m
Cable payout	○	○	○
Offset gearbox for centered drive	-	○	○
Shield width 1,800 mm	-	○	•
Shield width 2,000 mm	-	○	○
Shield width 2,200 mm	-	○	○

Single drum cable winches S-line

Winch type	Tractive force	Recommended tractor power
S50	50 kN	max. 40 kW
S55	55 kN	approx. 30 - 60 kW
S72	72 kN	approx. 40 - 90 kW

Please note:

To determine the optimum cable length, 10% must be deducted from the maximum cable capacity.

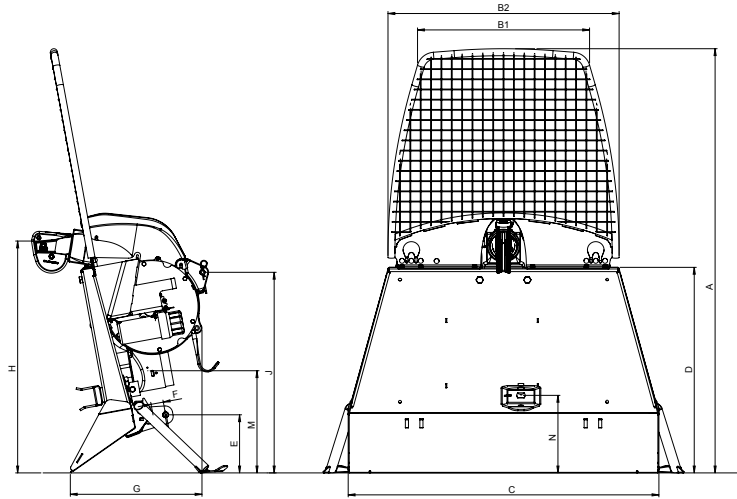
Important:

Please note the statutorily prescribed breaking load when selecting the cable for the cable winch.

• Standard ○ Option - Not deliverable

S150

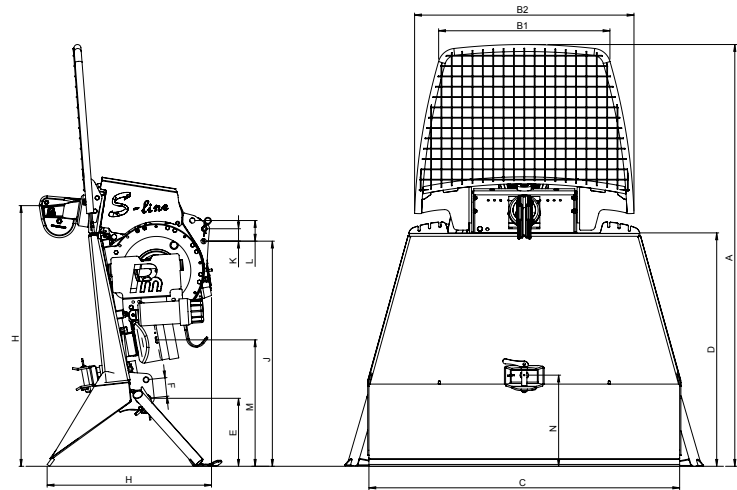
A	2,048 mm
B1	830 mm
B2	1,116 mm
C	1,500 mm ¹
D	992 mm
E	280 mm
F	60 mm
G	636 mm
H	1,119 mm
I	968 mm
M	493 mm
N	374 mm



S160

A	2,036 mm
B1	827 mm
B2	1,059 mm
C ¹	1,500 mm
D	1,127 mm
E	328 mm
F	90 mm
G	793 mm
H	1,258 mm
I	1,087 mm
K	60 mm
L	100 mm
M	610 mm
N	440 mm

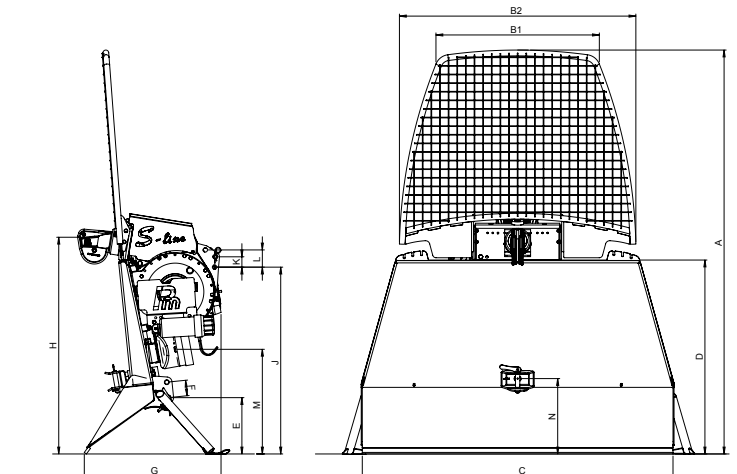
¹optional 1,800, 2,000, 2,200 mm



S172

A	2,340 mm
B1	946 mm
B2	1,370 mm
C ¹	1,800 mm
D	1,127 mm
E	328 mm
F	90 mm
G	793 mm
H	1,258 mm
I	1,087 mm
K	60 mm
L	100 mm
M	610 mm
N	440 mm

¹optional 2,000, 2,200 mm





Most important sales arguments:

- Lowest tractive force loss from top to bottom cable layer
- Precise control via plate clutch, brake and PPS controller.
- Adjustable winch setting PPS controller (winner of the Forestry Prize of the BMELV 2012)
- Wireless remote control as standard
- Adjustable shield width

Required tractor equipment:

- PTO speed 540, 750 or 1,000 rpm
- 4-pin socket for power supply of wireless remote control (socket is included as standard in the scope of delivery of the cable winch)

Technical specs

Technical specs	S150
Traction in lower cable layer	50 kN
Traction in upper cable layer	40 kN
Standard cable length (high density forestry cable with sliding hook)	Ø 10 mm x 70 m
Worm and helical gear in oil bath	•
Multi-plate clutch	•
Multi-plate brake	•
Load lowering valve	•
Average cable speed at 540 rpm	0.57 m/s
Average cable speed at 750 rpm	0.80 m/s
Average cable speed at 1,000 rpm	1.05 m/s
Independent hydraulic supply	•
Profi forestry wireless remote control	•
Pfanzelt PPS precision controller with PPS controller	•
Stacking shield width (standard)	1,500 mm
Protective grille as per UVV	•
Holder for chain saw and fuel canister	•
Cardan shaft	•
Towing coupling	•
Weight	(approx.) 380 kg
Net purchase price	5,990 €

On this page you can find optional accessories suitable for the S-line P150 geared cable winch. You will find images, technical information and detailed explanations of the optional extras arranged according to category and order number in the previous section of the price list.

Category	Name	Order no.	Price
Cable guide	Cable distribution and cable infeed brake for normal cable version	VS.SVSEB150	1,530 €
	Long cable version Ø 10 mm x 110 m incl. cable distribution and cable infeed brake	VS.LSP150	1,750 €
Cable payout	Cable payout (only in combination with cable distribution and cable infeed brake) Retrofitting not possible	VS.SAS150	1,260 €
Drive	Offset gearbox with centered drive with direction of rotation reversal (surcharge)	SMU	655 €
Wireless remote control	Electrical motor speed adjustment via servomotor	VS.ZB860	415 €
	Electrical motor speed adjustment via prop gas module	E.109535898	415 €
Shipment	Transport and packaging (Germany only)	FRACHT91	195 €
	Transport and packaging (EU except for Germany)		On request



Illustration may vary from original.

Most important sales arguments:

- Lowest tractive force loss from top to bottom cable layer
- Precise control via plate clutch, brake and PPS controller.
- Adjustable winch setting PPS controller (winner of the Forestry Prize of the BMELV 2012)
- Wireless remote control as standard
- Adjustable shield width

Required tractor equipment:

- PTO speed 540, 750 or 1,000 rpm
- 4-pin socket for power supply of wireless remote control (socket is included as standard in the scope of delivery of the cable winch)

Technical specs

S160

Traction in lower cable layer	60 kN
Traction in upper cable layer	47 kN
Standard cable length (high density forestry cable with sliding hook)	Ø 11 mm x 70 m
Worm and helical gear in oil bath	•
Multi-plate clutch	•
Multi-plate brake	•
Load lowering valve	•
Average cable speed at 540 rpm	0.57 m/s
Average cable speed at 750 rpm	0.80 m/s
Average cable speed at 1,000 rpm	1.05 m/s
Independent hydraulic supply	•
Profi forestry wireless remote control	•
Pfanzelt PPS precision controller with PPS controller	•
Stacking shield width (standard)	1,500 mm
Protective grille as per UVV	•
Holder for chain saw and fuel canister	•
Cardan shaft	•
Towing coupling	•
Weight	(approx.) 390 kg
Net purchase price	7,590 €

On this page you can find optional accessories suitable for the S160 geared cable winch. You will find images, technical information and detailed explanations of the optional extras arranged according to category and order number in the previous section of the price list.

Category	Name	Order no.	Price
Cable guide	Cable distribution and cable infeed brake for normal cable version	VS.SVSEB160	1,530 €
	Long cable version Ø 11 mm x 100 m incl. cable distribution and cable infeed brake	VS.LSP160	1,750 €
Cable payout	Cable payout (only in combination with cable distribution and cable infeed brake) Retrofitting not possible	VS.SAS160	1,260 €
Stacking shield	Stacking shield 1,800 mm	VS.ZB1800	410 €
	Stacking shield 2,000 mm	VS.ZB2000	450 €
	Stacking shield 2,200 mm	VS.ZB2200	650 €
Drive	Offset gearbox with centered drive	VS.SM	810 €
	Offset gearbox with centered drive with direction of rotation reversal (surcharge)	VS.SMU	1,380 €
Wireless remote control	Electrical motor speed adjustment via servomotor	VS.ZB860	415 €
	Electrical motor speed adjustment via prop gas module	E.109535898	415 €
Shipment	Transport and packaging (Germany only)	FRACHT91	195 €
	Transport and packaging (EU except for Germany)		On request



Most important sales arguments:

- Lowest tractive force loss from top to bottom cable layer
- Precise control via plate clutch, brake and PPS controller.
- Adjustable winch setting PPS controller (winner of the Forestry Prize of the BMELV 2012)
- Wireless remote control as standard
- Adjustable shield width

Required tractor equipment:

- PTO speed 540, 750 or 1,000 rpm
- 4-pin socket for power supply of wireless remote control (socket is included as standard in the scope of delivery of the cable winch)

Technical specs

	S172
Traction in lower cable layer	72 kN
Traction in upper cable layer	56 kN
Standard cable length (high density forestry cable with sliding hook)	Ø 12 mm x 60 m
Worm and helical gear in oil bath	•
Multi-plate clutch	•
Multi-plate brake	•
Load lowering valve	•
Average cable speed at 540 rpm	0.57 m/s
Average cable speed at 750 rpm	0.80 m/s
Average cable speed at 1,000 rpm	1.05 m/s
Independent hydraulic supply	•
Profi forestry wireless remote control	•
Pfanzelt PPS precision controller with PPS controller	•
Stacking shield width (standard)	1,800 mm
Protective grille as per UVV	•
Holder for chain saw and fuel canister	•
Cardan shaft	•
Towing coupling	•
Weight	(approx.) 420 kg

Net purchase price

8,750 €

On this page you can find optional accessories suitable for the S172 geared cable winch. You will find images, technical information and detailed explanations of the optional extras arranged according to category and order number in the previous section of the price list.

Category	Name	Order no.	Price
Cable guide	Cable distribution and cable infeed brake for normal cable version	VS.SVSEB172	1,530 €
	Long cable version Ø 12 mm x 90 m incl. cable distribution and cable infeed brake	VS.LSP172	1,820 €
Cable payout	Cable payout (only in combination with cable distribution and cable infeed brake) Retrofitting not possible	VS.SAS172	1,260 €
Stacking shield	Stacking shield 2,000 mm	VS.ZB2000	450 €
	Stacking shield 2,200 mm	VS.ZB2200	650 €
Drive	Offset gearbox with centered drive	VS.SM	810 €
	Offset gearbox with centered drive with direction of rotation reversal (surcharge)	VS.SMU	1,380 €
Wireless remote control	Electrical motor speed adjustment via servomotor	VS.ZB860	415 €
	Electrical motor speed adjustment via prop gas module	E.109535898	415 €
Shipment	Transport and packaging (Germany only)	FRACHT91	195 €
	Transport and packaging (EU except for Germany)		On request



The details make the difference.

Pfanzelt quick-fit and fixed cable winches are the perfect implements for commercial timber forwarding. One reason is the mounting of the cable winch and the sprag bearing on a single frame, meaning that the tractor remains largely free of mechanical strain during winching.

Pfanzelt quick-fit geared cable winches consist of an adaptable modular system and can therefore be easily adapted to the almost all commonly used tractor types. The underlying engineering is the same. The complete reliability and durability of the cable winches is guaranteed by the precision worm gear used in the winch assembly and the multi-disc sintered plate sets.

Depending on the requirements of the operator, the cable winches are available with various tractive powers, stacking shield widths and cable capacities.

Technical details that impress:

- Best pulling power ratios to bottom to top cable layer
- Optimum installation location in spite of mounted power hitch
- Large lift height of sprag bearing (optionally with automatic trailer coupling)
- Reliable power transmission with helical and worm gears immersed in oil bath
- Adjustable cable infeed (mechanical or hydraulic)

Tractor type and manufacturer must also be specified on ordering.

In the case of queries in relation to the availability of suitable mountings, please contact the factory directly.

Conversion or mounting depending on cost in Rettenbach factory (price ex works)



7.1 Technical details



Installation and removal

Thanks to careful design, the quick-fit winches or the combination of cable winch and loading crane can be mounted or removed in a matter of minutes. The tractor is therefore available for other uses at short notice.



Crane attachment

Tree farmers and forestry contractors increasingly rely on machinery to increase their productivity and make their job easier. In addition, reliability in every situation and the cost effectiveness of the machinery are important prerequisites. Pfanzelt quick-fit combinations of double drum cable winch and loading crane fulfil these requirements and leave no wish unanswered in operation in combination with a standard tractor with reversing installation. The modular quick-fit system makes it possible to combine various cable winch types with loading and forwarding cranes.



Illustration may vary from original.

Most important sales arguments:

- Optimum installation location in spite of mounted power hitch
- Large lifting height
- Adjustable cable infeed (on request mechanically or hydraulically adjustable)
- PTO shaft drive (on request)
- Towing jaw in stacking shield and separate towing jaw on mounting (cable winch)

Technical specs

SW0258

Tractive force lower cable layer in kN	80
Tractive force upper cable layer in kN	56
Avg. cable speed at 540 (m/s)	0.6
Standard cable length (high density forestry cable with sliding hook)	Ø 13 mm x 80 m
Maximum cable capacity (high density forestry cable)	Ø 13 mm x 80 m
Stacking shield width (standard) mm	1,800
Independent oil supply via radial piston pump with suction filter	•
Multi-plate clutch	•
made of sintered metal, self-adjusting	
Multi-plate brake	•
Load lowering valve	•
Worm gear in oil bath	•
Drive from tractor PTO with elastic coupling	•
Electrical pressure sensing control as per UVV with 5 metre control cable	•
Professional forestry wireless remote control (B&B F10)	•
Oil immersed armature solenoid valves	•
Cable infeed 3 height adjustments with pivoting roller with all-round ball bearing mounting	•
Sprag bearing for lifting and pressing with fold down flapper plate	•
Lifting height (depending on tractor type and tyres)	approx. 850 mm
Undergrip (depending on tractor type and tyres)	approx. 200 mm
Lifting force	(approx.) 3.5 t
Trailer coupling	•

Total price

31,300 €

On this page you can find optional accessories suitable for the SW0258 geared cable winch. You will find images, technical information and detailed explanations of the optional extras arranged according to category and order number in the previous section of the price list.

Category	Name	Order no.	Price
Cable winding	Hydraulic cable payout	VS.SASRO	3,750 €
	Electrohydraulic cable infeed coiling	EHSET	5,200 €
Cable infeed	Cable infeed follow-on (surcharge)	VS.ZB870	880 €
	Cable infeed hydr. height adjustable (surcharge)	VS.ZB880	2,530 €
Winch unit	Tractive force adjustable (surcharge)	VS.ZE	268 €
	Proportional brake control via wireless remote control	VS.PB	890 €
	Without standard cable equipment	CABLE	./ 530 €
Wireless remote control	Without B&B F10 forestry wireless remote control	E.109536000+ 109536055	./ 1,330 €
	Motor start/stop for B&B F10 forestry wireless remote control without installation (surcharge)	VS.MSS	155 €
	Electrical motor speed adjustment via servomotor	VS.ZB860	465 €
	Electrical motor speed adjustment via prop gas module	E.109535898	465 €
Miscellaneous	TÜV - certificate cable winch	VS.TUEVSEILWINDE	440 €
	Conversion work on tractor (e.g. control valves, tank etc.)	VS.US	According to cost



Illustration may vary from original.

Most important sales arguments:

- Optimum installation location in spite of mounted power hitch
- Large lifting height
- Adjustable cable infeed (on request mechanically or hydraulically adjustable)
- PTO shaft drive (on request)
- Towing jaw in stacking shield and separate towing jaw on mounting (cable winch)

Technical specs

SW0306

Tractive force bottom cable layer in kN	2 x 60
Tractive force top cable layer in kN	2 x 42
Avg. cable speed at 540 (m/s)	0.42
Standard cable length (high density forestry cable with sliding hook)	2 x Ø 11 mm x 70
Maximum cable capacity (high density forestry cable)	2 x Ø 11 mm x 100
Stacking shield width (standard)	2,000 mm
Independent oil supply via radial piston pump with suction filter	•
Multi-plate clutch made of sintered metal, self-adjusting	•
Multi-plate brake	•
Load lowering valve	•
Worm gear in oil bath	•
Drive from tractor PTO with elastic coupling	•
Electrical pressure sensing control as per UVV with 5 metre control cable	•
Professional forestry wireless remote control (B&B F10)	•
Oil immersed armature solenoid valves	•
Cable infeed 3 height adjustments with pivoting roller with all-round ball bearing mounting	•
Sprag bearing for lifting and pressing with fold down flapper plate	•
Lifting height (depending on tractor type and tyres)	approx. 850 mm
Undergrip (depending on tractor type and tyres)	approx. 200 mm
Lifting force	(approx.) 4.5 t
Trailer coupling	•

Total price

38,800 €

On this page you can find optional accessories suitable for the SW0306 geared cable winch. You will find images, technical information and detailed explanations of the optional extras arranged according to category and order number in the previous section of the price list.

Category	Name	Order no.	Price
Cable winding	Hydraulic cable payout	VS.SASRO	3,750 €
	Electrohydraulic cable infeed winding for double drum cable winch	VS.EHSDT	10,350 €
Cable infeed	Cable infeed follow-on (surcharge)	VS.ZB870	880 €
	Cable infeed hydr. height adjustable (surcharge)	VS.ZB880	2,530 €
Winch unit	Tractive power adjustable (surcharge per drum)	VS.ZE	268 €
	Proportional brake control via wireless remote control per drum	VS.PB	890 €
	Without standard cable equipment	CABLE	./ 810 €
Wireless remote control	Without B&B F10 forestry wireless remote control	E.109536000+ 109536055	./ 1,590 €
	Motor start/stop for B&B F10 forestry wireless remote control without installation (surcharge)	VS.MSS	155 €
	Electrical motor speed adjustment via servomotor	VS.ZB860	465 €
	Electrical motor speed adjustment via prop gas module	E.109535898	465 €
Miscellaneous	TÜV - certificate cable winch	VS.TUEVSEILWINDE	440 €
	Conversion work on tractor (e.g. control valves, tank etc.)	VS.US	According to cost



Illustration may vary from original.

Most important sales arguments:

- Optimum installation location in spite of mounted power hitch
- Large lifting height
- Adjustable cable infeed (on request mechanically or hydraulically adjustable)
- PTO shaft drive (on request)
- Towing jaw in stacking shield and separate towing jaw on mounting (cable winch)

Technical specs

SW0308

Tractive force bottom cable layer in kN	2 x 80
Tractive force top cable layer in kN	2 x 56
Avg. cable speed at 540 (m/s)	0.42
Standard cable length (high density forestry cable with sliding hook)	2 x Ø 13 mm x 80
Maximum cable capacity (high density forestry cable)	2 x Ø 13 mm x 80
Stacking shield width (standard) mm	2,100
Independent oil supply via radial piston pump with suction filter	•
Multi-plate clutch	•
made of sintered metal, self-adjusting	
Multi-plate brake	•
Load lowering valve	•
Worm gear in oil bath	•
Drive from tractor PTO with elastic coupling	•
Electrical pressure sensing control as per UVV with 5 metre control cable	•
Professional forestry wireless remote control (B&B F10)	•
Oil immersed armature solenoid valves	•
Cable infeed 3 height adjustments with pivoting roller with all-round ball bearing mounting	•
Sprag bearing for lifting and pressing with fold down flapper plate	•
Lifting height (depending on tractor type and tyres)	approx. 850 mm
Undergrip (depending on tractor type and tyres)	approx. 200 mm
Lifting force	(approx.) 4.5 t
Trailer coupling	•

Total price

42,100 €

On this page you can find optional accessories suitable for the SW0308 geared cable winch. You will find images, technical information and detailed explanations of the optional extras arranged according to category and order number in the previous section of the price list.

Category	Name	Order no.	Price
Cable winding	Hydraulic cable payout	VS.SASRO	3,750 €
	Electrohydraulic cable infeed winding for double drum cable winch	VS.EHSDT	10,350 €
Cable infeed	Cable infeed follow-on (surcharge)	VS.ZB870	880 €
	Cable infeed hydr. height adjustable (surcharge)	VS.ZB880	2,530 €
Winch unit	Tractive power adjustable (surcharge per drum)	VS.ZE	268 €
	Proportional brake control via wireless remote control per drum	VS.PB	890 €
	Without standard cable equipment	CABLE	./ 1,060 €
Wireless remote control	Without B&B F10 forestry wireless remote control	E.109536000+ 109536055	./ 1,590 €
	Motor start/stop for B&B F10 forestry wireless remote control without installation (surcharge)	VS.MSS	155 €
	Electrical motor speed adjustment via servomotor	VS.ZB860	465 €
	Electrical motor speed adjustment via prop gas module	E.109535898	465 €
Miscellaneous	TÜV - certificate cable winch	VS.TUEVSEILWINDE	440 €
	Conversion work on tractor (e.g. control valves, tank etc.)	VS.US	According to cost

Special wire cable

Cable prices for cable package (special forestry cable, double compacted of 6 x 19 type)

Diameter/ breaking force	Unit	Order no.	Price
10 mm/ 99 kN	50 m	A.10X50.1117	310 €
	60 m	A.10X60.1118	375 €
	80 m	A.10X80.1016	500 €
	90 m	A.10X90.1119	570 €
	110 m	A.10X110.1141	685 €
	120 m	A.10X120.1120	750 €
	140 m	A.10X140.1121	870 €
	160 m	A.10X160.1122	990 €
	200 m	A.10X200.1136	1,250 €
10.5 mm/ 110 kN	70 m	A.10.5X70.1003	430 €
	110 m	A.10.5X110.1011	670 €
11 mm/ 120 kN	50 m	A.11X50.1123	360 €
	60 m	A.11X60.1053	430 €
	70 m	A.11X70.1015	515 €
	80 m	A.11X80.1055	580 €
	90 m	A.11X90.1014	645 €
	100 m	A.11X100.1010	675 €
	110 m	A.11X110.1013	790 €
	120 m	A.11X120.1066	860 €
	130 m	A.11X130.1116	1,130 €
	140 m	A.11X140.1124	1,010 €
	160 m	A.11X160.1125	1,150 €
	200 m	A.11X200.1137	1,440 €
	12 mm/ 144 kN	50 m	A.12X50.1046
60 m		A.12X60.1025	480 €
70 m		A.12X70.1012	570 €
80 m		A.12X80.1026	645 €
90 m		A.12X90.1051	720 €
100 m		A.12X100.1034	805 €
120 m		A.12X120.1052	960 €
140 m		A.12X140.1084	1,130 €
160 m		A.12X160.1126	1,290 €
200 m		A.12X200.1138	1,630 €

Diameter/ breaking force	Unit	Order no.	Price
13 mm/ 160 kN	50 m	A.13X50.1127	420 €
	60 m	A.13X60.1078	515 €
	70 m	A.13X70.1065	595 €
	80 m	A.13X80.1020	670 €
	90 m	A.13X90.1018	750 €
	100 m	A.13X100.1009	835 €
	120 m	A.13X120.1058	1,010 €
	140 m	A.13X140.1128	1,160 €
	160 m	A.13X160.1129	1,330 €
	200 m	A.13X200.1139	1,680 €
14 mm/ 180 kN	50 m	A.14X50.1130	445 €
	60 m	A.14X60.1131	540 €
	70 m	A.14X70.1083	620 €
	80 m	A.14X80.1077	710 €
	90 m	A.14X90.1132	805 €
	100 m	A.14X100.1076	890 €
	120 m	A.14X120.1133	1,070 €
	140 m	A.14X140.1134	1,250 €
	160 m	A.14X160.1135	1,420 €
	200 m	A.14X200.1140	1,780 €
15 mm/ 201 kN	per metre	VS.SEIL15	10.50 €

Special plastic winches

Cable prices per metre (cables made of "Dyneema" special plastic, e.g. for timber forwarding, densely woven with extremely high breakage strains, low weight, highly flexible)

Diameter/ breaking force	Unit	Order no.	Price
10 mm/ 105 kN	per metre	DYM10	14.50 €
12 mm/ 145 kN	per metre	DYM12	16.40 €
14 mm/ 175 kN	per metre	DYM14	17.80 €
16 mm/ 220 kN	per metre	DYM16	22.70 €
Loop	per unit	DYMSL	37.20 €

Max. cable capacity single drum cable winches

S-line Cable winches	Cable diameter in mm				
	10	10.5	11	12	13
S150	162 m	134 m	130 m	102 m	96 m
S160	162 m ¹	134 m ¹	130 m	102 m	96 m
S172	162 m ¹	134 m ¹	130 m ¹	102 m	96 m

Profi cable winch- es	Cable diameter in mm						
	10	11	12	13	14	15	16
P170NET	218 m ¹	174 m ¹	138 m	129 m	100 m		
P185NET			138 m ¹	129 m	100 m		
P172	162 m ¹	130 m ¹	102 m	96 m	74 m		
P186			166 m ¹	158 m	121 m	115 m	86 m
P1102				158 m ¹	121 m ¹	115 m	86 m

logLINE Cable winches	Cable diameter in mm						
	10	11	12	13	14	15	16
L186			166 m ¹	158 m	121 m	115 m	86 m
L1102				158 m ¹	121 m ¹	115 m	86 m
L1120				158 m ¹	121 m ¹	115 m ¹	86 m
L1110EHS				212 m ¹	200 m ¹	152 m	145 m

Quick-fit cable winch	Cable diameter in mm						
	10	11	12	13	14	15	16
0258		130 m ²	102 m ²	96 m	74 m	70 m ¹	53 m ¹

Max. cable capacity double drum cable winches

Profi cable winch- es	Cable diameter in mm						
	10	11	12	13	14	15	16
P260NET	2 x 110 m ²	2 x 80 m	2 x 69 m	2 x 65 m	2 x 50 m		
P272	2 x 162 m ¹	2 x 130 m ¹	2 x 102 m	2 x 96 m	2 x 74 m		
P285		2 x 174 m ¹	2 x 138 m ¹	2 x 129m	2 x 100 m	2 x 73 m	

logLINE Cable winches	Cable diameter in mm						
	10	11	12	13	14	15	16
L286		2 x 174 m ¹	2 x 138 m ¹	2 x 129 m	2 x 100 m	2 x 73 m	
L2102			1 x 102 m ¹ 1 x 138 m ¹	1 x 96 m ¹ 1 x 129 m ¹	1 x 74 m 1 x 100 m	1 x 56 m 1 x 73 m	1 x 53 m 1 x 69 m

Quick-fit ca- ble winches	Cable diameter in mm						
	10	11	12	13	14	15	16
0306	2 x 162 m ²	2 x 130 m	2 x 102 m	2 x 96 m			
0308		2 x 130 m ²	2 x 102 m ²	2 x 96 m	2 x 74 m	2 x 70 m ¹	

Please note:

To determine the optimum cable length, 10% must be deducted from the maximum cable capacity.

Important:

Please note the statutorily prescribed breaking load when selecting the cable for the cable winch.

¹ depending on the regulations in your country, it may be necessary that the tractive force of the cable winch must be reduced when this cable type is selected.

Both in agriculture/forestry and in environmental management, a cable winch is often required to recover vehicles or items of equipment. The MYSELF front-mounted recovery winch has been especially designed for this application. The simply mounted, hydraulically actuated cable winch for the quick-coupling 3-point link. This means the attachment can be mounted and removed in a matter of minutes for recovery jobs.



Hydrl. recovery winch suitable for quick-coupling 3-point link

- Most important sales arguments:**
- Rapid attachment via quick-coupling 3-point mounting
 - Secure locking for highest degree of safety
 - Claw coupling for rapid cable pay out
 - Low tractive force loss from top to bottom cable layer

Required tractor equipment:
A 2-way control valve at front of tractor

Technical specs	BW0105
Order no.	PMTFRSBW0105
Traction in lower cable layer	50 kN
Traction in upper cable layer	34 kN
High density special forestry cable	Ø 12 mm x 50 m
Worm gear in oil bath	•
Coupling for rapid cable pay out	Claw coupling
Avg. cable speed at 80 l	10.1 m/ _{min}
Shield width	1010 mm
Weight	(approx.) 1,000 kg

Net purchase price **7,100 €**

Technical specs	BW0105
Traction in lower cable layer	50 kN
Traction in upper cable layer	34 kN
High density special forestry cable	Ø 12 mm x 50 m
Worm gear in oil bath	•
Coupling for rapid cable pay out	Claw coupling
Avg. cable speed at 80 l	10.1 m/ _{min}
Shield width	1010 mm
Weight	(approx.) 200 kg

Net purchase price **3,900 €**





Securing and recovery in any terrain.

The Pfanzelt modular series for vehicle winch systems offer cable winches with lifting and tractive forces of between 30 and 450 kN. Various winch drives, which are all largely maintenance- and wear-free, are available for different applications.

For changing requirements in relation to operating comfort, safe operation and the various carrier vehicles, both adaptable control and safety systems as well as different cable winding systems can be combined.

In addition, the cable winch can be equipped with practical accessories such as cable payout systems, electronic tractive force monitoring or wireless remote control systems.

The variety of the product range extends from standard winches, such as recovery winches for the fire department or the THW to customised system solutions.

Typical applications for Pfanzelt vehicle-mounted cable winches are:

- Emergency vehicles
- Fire fighting, tool and equipment trucks
- Military vehicles
- Trucks for construction, landscaping and water course maintenance
- Oil field vehicles



Top: Hydraulic front-mounted cable winch with 12 tractive force, wireless remote control and stabilisers on a Unimog truck.

Bottom: Hydraulic recovery cable winch for the quick-coupling 3-point link.



Modular system

Pfanzelt cable winch units can be individually configured by means of their modular design. The cable winch can be adapted for the intended purpose and the installation location. The high degree of flexibility applies to the unit itself and to the attachment of individual components – thus, for example, the drive can be provided via a hydraulic motor or a mechanical linkage. The drive direction can from all sides of the winch unit. When creating a custom system, a wide variety of drum widths, adapted to the required cable length, are available. These can also be combined.





The hydraulic logging grab is supplied with attachment block for front loaders and 3-point hitch. The maximises flexibility when forwarding or loading logs. Work can be performed much quicker with the logging grab, at the same time saving exertion and without having to leave the tractor cab. The curved tooth rail between the lower arms can securely raise and carry fixed lengths. The gripper is open/closed and the rotator turned by an electrical switch.

Flexible front loader gripper and logging grab

- Most important sales arguments:**
- Attachment block for front loaders and 3-point linkage
 - Professional double clam shell gripper with 0.23 m² cross sectional area
 - Electrical switching between gripper and rotator

Required tractor equipment:

A 2-way control valve, electrical switching option (when mounted at front)

Technical specs	RZ230
Attachment block for front loaders (Euro attachment)	•
Attachment block for 3-point linkage (Cat. II)	•
Infinite rotator	4.5 t
Gripper opening width	1,250 mm
Gripper cross section	max. 0.23 m ²
Weight	(approx.) 350 kg
Total price	3,860 €



HERGESTELLT IN DEUTSCHLAND

12.0 transportBOX



transportBOX

With the practical transport box, tools and working materials can be tidily stowed away and safely transported in standing timber and on the road. Equipped with two gas pistons and a mounting block for a quick-coupling 3-point link, operation is straightforward and comfortable.

Order no.: VS. Transportbox

Price 990 €



HERGESTELLT IN
DEUTSCHLAND



For more information visit our
website at
www.pfanzelt-maschinenbau.de



Pfanzelt Maschinenbau GmbH

Frankau 37

D-87675 Rettenbach a. Auerberg

Tel. +49 (0) 88 60 / 92 17 -0

Fax +49 (0) 88 60 / 92 17 -17

E-Mail info@pfanzelt-maschinenbau.de

www.pfanzelt-maschinenbau.de

All prices, specifications and illustrations are non-binding. Changes due to technical developments reserved.

PM1602PLSWEN-03